

FLF-13500-50

DC~13.5GHz, 50dB

Features:

- * High Stopband Rejection
- * Small Size

Applications:

- * Telecom
- * Laboratory Test
- * Receivers
- * Instrumentation

Electrical

Frequency:	DC~13.5GHz
Insertion Loss:	1dB max. @DC~13.2GHz 2dB max. @13.2~13.5GHz
VSWR:	1.5 max.
Stop Band Attenuation:	50dB min. @14.7~21.3GHz
Average Power:	15W max.
Impedance:	50Ω

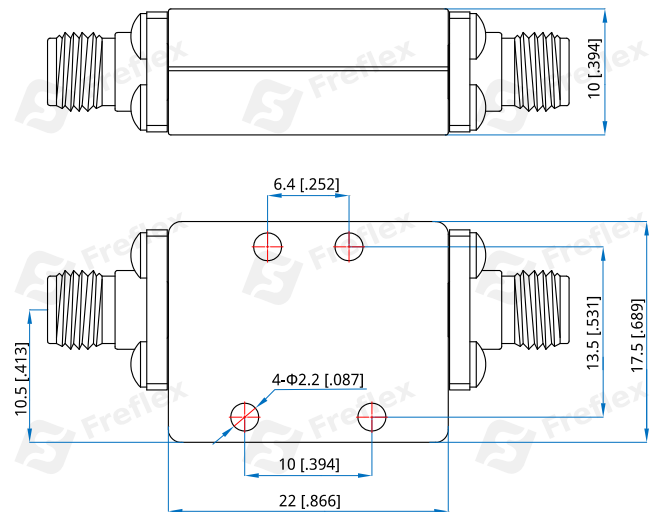
Mechanical

Size ^{*1} :	22*17.5*10mm 0.866*0.689*0.394in
RF Connectors:	SMA Female
Mounting:	4-Φ2.2mm through-hole

[1] Exclude connectors

Environmental

Operating Temperature:	-55~+85°C
------------------------	-----------

Outline Drawings


Unit: mm [in]

Tolerance: ±0.3mm [±0.012in]

How To Order

FLF-13500-50

Customization is available upon request.