

FLF-4000-60

DC~4GHz, 60dB

Features:

- * High Stopband Rejection
- * Small Size

Applications:

- * Telecom
- * Laboratory Test
- * Receivers
- * Instrumentation

Electrical

Frequency:	DC~4GHz
Stopband Attenuation:	60dB@4.5~12.3GHz min.
Insertion Loss:	1dB@DC~3.8GHz max. 1.5dB@3.8~4GHz max.
VSWR:	1.3max.
Average Power:	15W max.
Impedance:	50Ω

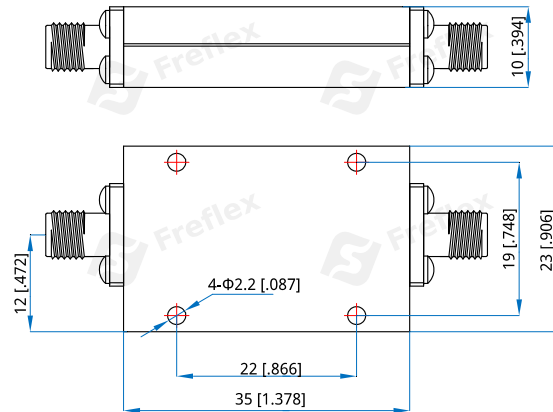
Mechanical

Size ^{*1} :	35*23*10mm 1.378*0.906*0.394in
RF Connectors:	SMA Female
Mounting:	4-Φ2.2mm through-hole

[1] Exclude connectors.

Environmental

Temperature:	-55~+85°C
--------------	-----------

Outline Drawings


Unit: mm [in]

Tolerance: ±0.2mm [±0.008in]

How To Order

FLF-4000-60

Customization is available upon request.