

# FLF-55-35

## DC~0.055GHz, 35dB

|                                                               |                                                                                            |
|---------------------------------------------------------------|--------------------------------------------------------------------------------------------|
| <b>Features:</b><br>* High Stopband Rejection<br>* Small Size | <b>Applications:</b><br>* Telecom<br>* Laboratory Test<br>* Receivers<br>* Instrumentation |
|---------------------------------------------------------------|--------------------------------------------------------------------------------------------|

### Electrical

|                        |                         |
|------------------------|-------------------------|
| Frequency:             | DC~0.055GHz             |
| Insertion Loss:        | 0.8dB max.              |
| VSWR:                  | 1.5 max.                |
| Stop Band Attenuation: | 35dB @ 70 ~ 200MHz min. |
| Average Power:         | 1W Max.                 |
| Impedance:             | 50Ω                     |

### Mechanical

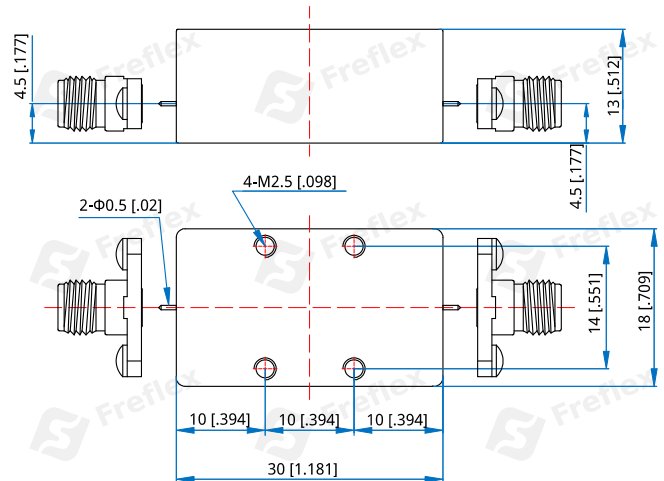
|                      |                                   |
|----------------------|-----------------------------------|
| Size <sup>*1</sup> : | 30*18*13mm<br>1.181*0.709*0.512in |
| RF Connectors:       | SMA Female                        |
| Mounting:            | 4-M2.5 through-hole               |

[1] Exclude connectors

### Environmental

Operating Temperature: -30~+70°C

### Outline Drawings



Unit: mm [in]  
 Tolerance: ±0.3mm [±0.012in]

### How To Order

**FLF-55-35**

Customization is available upon request.