

# FLF-6000-60

## DC~6GHz, 60dB

**Features:**

- \* High Stopband Rejection
- \* Small Size

**Applications:**

- \* Telecom
- \* Laboratory Test
- \* Receivers
- \* Instrumentation

**Electrical**

Frequency:	DC~6GHz
Insertion Loss:	1dB max. @DC~5.8GHz 1.5dB max. @5.8~6GHz
VSWR:	1.3 max.
Stop Band Attenuation:	60dB@6.7~15.5GHz min.
Average Power:	15W max.
Impedance:	50Ω

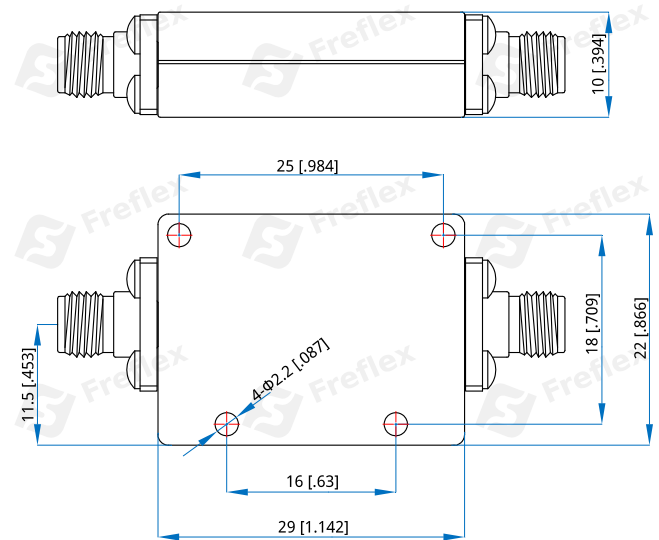
**Mechanical**

Size <sup>*1</sup> :	29*22*10mm 1.142*0.866*0.394in
RF Connectors:	SMA Female
Mounting:	4-Φ2.2mm through-hole

[1] Exclude connectors

**Environmental**

Operating Temperature:	-55~+85°C
------------------------	-----------

**Outline Drawings**


Unit: mm [in]

Tolerance: ±0.2mm [±0.008in]

**How To Order**

**FLF-6000-60**

Customization is available upon request.