

# FLF-9000-50

## DC~9GHz, 50dB

**Features:**

- \* High Stopband Rejection
- \* Small Size

**Applications:**

- \* Telecom
- \* Laboratory Test
- \* Receivers
- \* Instrumentation

**Electrical**

Frequency:	DC~9GHz
Insertion Loss:	1dB max. @DC~8.9GHz 1.5dB max. @8.9~9GHz
VSWR:	1.4 max.
Stop Band Attenuation:	50dB@9.8~17GHz min.
Average Power:	15W max.
Impedance:	50Ω

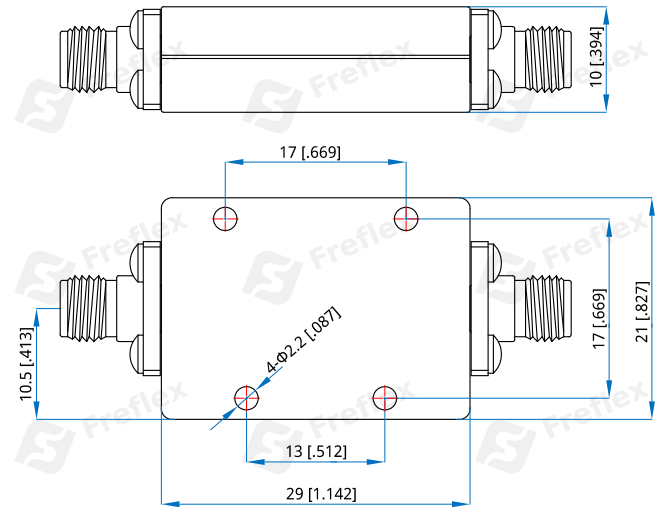
**Mechanical**

Size <sup>*1</sup> :	29*21*10mm 1.142*0.827*0.394in
RF Connectors:	SMA Female
Mounting:	4-Φ2.2mm through-hole

[1] Exclude connectors

**Environmental**

Operating Temperature:	-55~+85°C
------------------------	-----------

**Outline Drawings**


Unit: mm [in]

Tolerance: ±0.2mm [±0.008in]

**How To Order**

**FLF-9000-50**

Customization is available upon request.