

FWT1.5-R5

WR-1.5, 0.5W

Features:
 * Low VSWR
 * Broadband

Applications:
 * Transmitters
 * Antennas
 * Laboratory Test
 * Impedance Matching

Electrical

Frequency:	500~750GHz
Average Power	0.5W max.
VSWR:	1.25 max.

Mechanical

Interface:	WR-1.5
------------	--------

Environmental

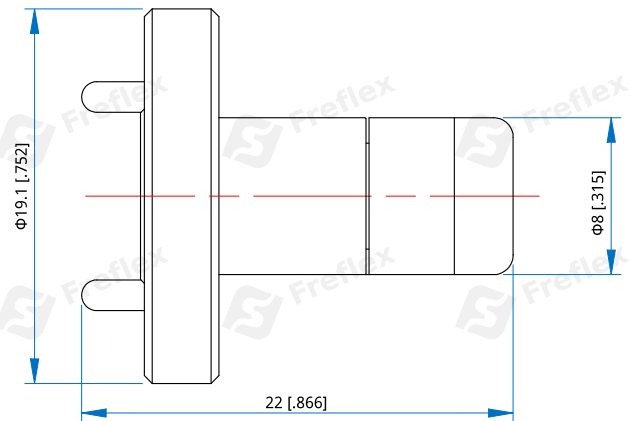
Operation Temperature:	0~+40°C
No-Operation Temperature:	-40~+70°C

How To Order

FWT1.5-R5

Customization is available upon request.

Outline Drawings



Unit: mm [in]

Tolerance: ± 0.5 mm [± 0.02 in]