

FMPS180

180°/GHz

Features:

- * Low Insertion Loss
- * High Power
- * High Reliable

Applications:

- * Laboratory Test
- * Transmitter
- * Instrumentation
- * Wireless

Electrical

| | |
|----------------------------|---------|
| Frequency: | DC~4GHz |
| Impedance: | 50Ω |
| Average Power: | 100W |
| Peak Power ^{*1} : | 5KW |

[1] Pulse width: 5us, duty cycle: 2%.

| Frequency (GHz) | VSWR (max.) | Insertion Loss (dB, max.) | Phase Adjustment ^{*2} (°) |
|-----------------|-------------|---------------------------|------------------------------------|
| DC~1 | 1.4 | 1.0 | 0~180 |
| DC~2 | 1.5 | 1.5 | 0~360 |
| DC~3 | 1.5 | 1.75 | 0~540 |
| DC~4 | 1.5 | 2.0 | 0~720 |

[2] Phase shift varies linearly corresponding to the frequency. For example, if the maximum phase shift is 360°@2GHz, the maximum phase shift is 180°@1GHz.

Mechanical

| | |
|----------------------|---------------------------------------|
| Size ^{*3} : | 372*76*30.5mm 14.646*2.992*1.201in |
| Size ^{*4} : | 377*76*50.5mm 14.843*2.992*1.988in |

Weight: 795g

RF Connectors: N Female, SMA Female

Outer Conductor: Nickle Plated Brass

Inner Conductor: Gold Plated Beryllium Bronze

Housing Material: Aluminum

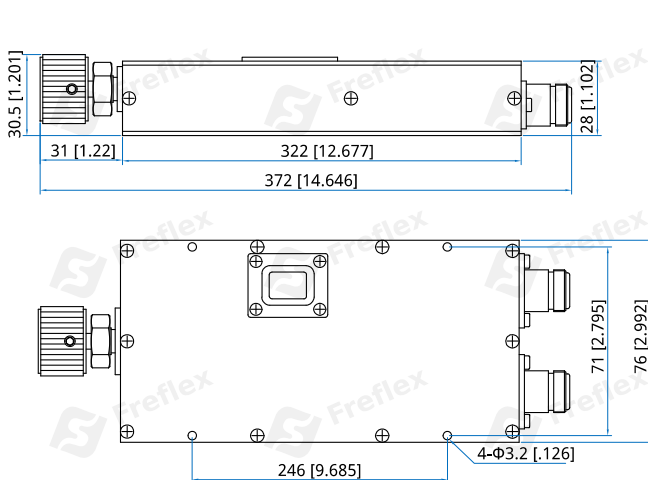
[3] Analog.

[4] Digital.

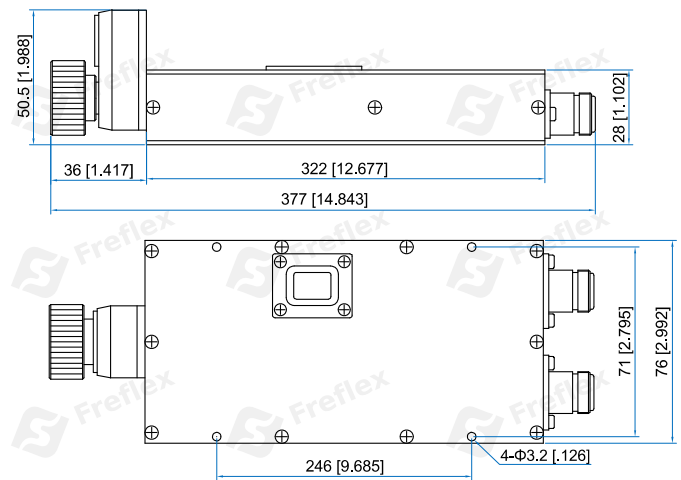
Environmental

Operating Temperature: -10~+50°C

Non-operating Temperature: -40~+70°C

Outline Drawings


Outline A



Outline B

Unit: mm [in]

Tolerance: ±0.2mm [±0.008in]

How To Order

FMPS180-X-Y-Z

X: Frequency in GHz

Y: Connector type

Z: Display

Examples:

To order a digital phase shifter, DC~3GHz, N female to N female, specify FMPS180-3-N-D.

Customization is available upon request.

Connector naming rules:

S - SMA

N - N

Display naming rules:

A - Analog (Outline A)

D - Digital (Outline B)