

FMPS45

45°/GHz

Features:

- * Low Insertion Loss
- * High Power
- * High Reliable

Applications:

- * Laboratory Test
- * Transmitter
- * Instrumentation
- * Wireless

Electrical

Frequency:	DC~8GHz
Impedance:	50Ω
Average Power:	50W
Peak Power* ¹ :	5KW

[1] Pulse width: 5us, duty cycle: 1%.

Frequency (GHz)	VSWR (max.)	Insertion Loss (dB, max.)	Phase Adjustment* ² (°)
DC~1	1.2	0.3	0~45
DC~2	1.3	0.5	0~90
DC~4	1.4	0.75	0~180
DC~6	1.5	1	0~270
DC~8	1.5	1.25	0~360

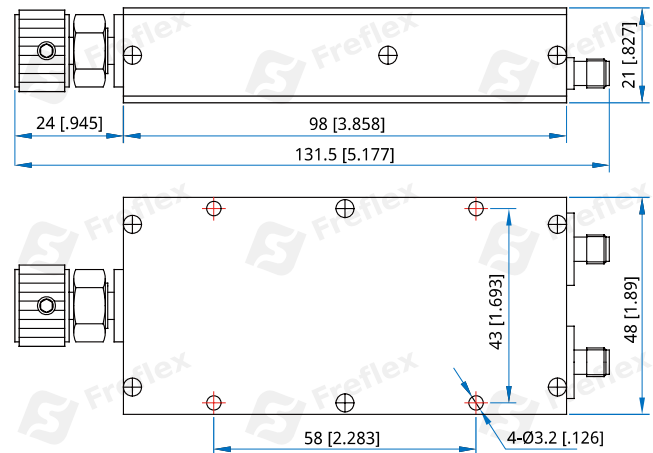
[2] Phase shift varies linearly corresponding to the frequency. For example, if the maximum phase shift is 360°@8GHz, the maximum phase shift is 180°@4GHz.

Mechanical

Size:	131.5*48*21mm 5.177*1.89*0.827in
Weight:	200g
RF Connectors:	SMA Female
Outer Conductor:	Gold plated brass
Male Inner Conductor:	Gold plated brass
Female Inner Conductor:	Gold plated beryllium copper
Housing:	Aluminum

Environmental

Operating Temperature:	-10~+50°C
Non-operating Temperature:	-40~+70°C

Outline Drawings


Unit: mm [in]

Tolerance: ±0.2mm [±0.008in]

How To Order

FMPS45-X-Y

X: Frequency in GHz

Y: Connector type

Connector naming rules:

S - SMA

Examples:

To order a phase shifter, DC~6GHz, SMA female to SMA female, specify FMPS45-6-S.

Customization is available upon request.