

## FCA1

DC~2.5GHz, 0~16dB, 1W

### Features:

- \* Low VSWR
- \* High Attenuation Flatness

### Applications:

- \* Wireless
- \* Transmitter
- \* Laboratory Test
- \* Radar

### Electrical

Frequency:	DC~2.5GHz
Attenuation Range:	10, 16dB
Impedance:	50Ω
Average Power:	1W

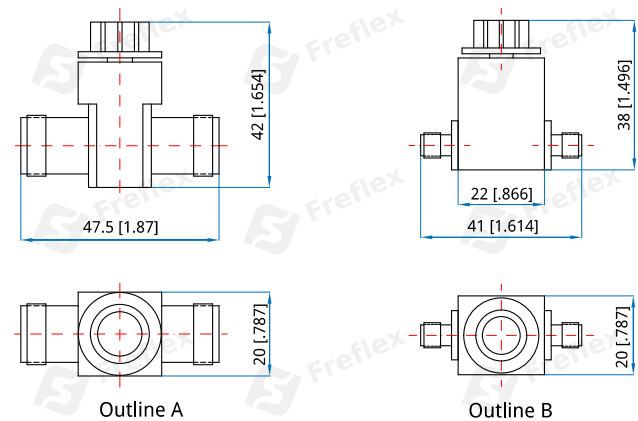
### Mechanical

Weight:	65g
Outer Conductor:	Nickel plated brass
Female Inner Conductor:	Gold plated beryllium copper
Housing:	Aluminum

### Environmental

Temperature:	-40~+65°C
--------------	-----------

### Outline Drawings



Unit: mm [in]

Tolerance: ±1mm [±0.04in]

### How To Order

**FCA1-0-2.5-10-N** - 0~10dB, N Female, Outline A

**FCA1-0-2.5-16-N** - 0~16dB, N Female, Outline A

**FCA1-0-2.5-10-S** - 0~10dB, SMA Female, Outline B

**FCA1-0-2.5-16-S** - 0~16dB, SMA Female, Outline B

Customization is available upon request.