

FCAK1

0.9~10.5GHz, 0~20dB, 100W

Features:

- * Low VSWR
- * High Attenuation Flatness

Applications:

- * Wireless
- * Transmitter
- * Laboratory Test
- * Radar

Electrical

Frequency:	0.9~10.5GHz
Band Width:	100, 200MHz
Attenuation Accuracy:	±0.5dB@0.9~4GHz ±1.0dB@5~10.5GHz
Attenuation Range:	10, 12, 15, 20dB
VSWR:	1.5 max.@0.9~4GHz 1.55 max.@5~6GHz 1.6 max.@9.5~10.5GHz
Insertion Loss:	1.0dB max.@0.9~4GHz 1.2dB max.@5~6GHz 1.5dB max.@9.5~10.5GHz
Impedance:	50Ω
Average Power:	100W

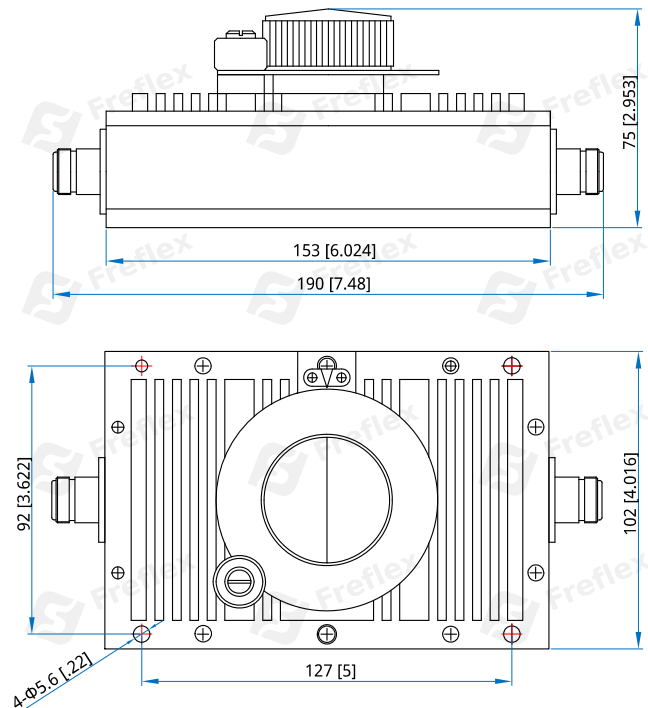
Mechanical

Size:	190*102*75mm 7.48*4.016*2.953in
Weight:	2Kg
RF Connectors:	N Female
Outer Conductor:	Nickel plated brass
Female Inner Conductor:	Gold plated beryllium copper
Housing:	Aluminum
Mounting:	4-Φ5.6mm through-hole

Environmental

Temperature:	-40~+65°C
--------------	-----------

Outline Drawings



Unit: mm [in]
Tolerance: ±1mm [±0.04in]

How To Order

FCAK1-X-Y-Z

- X: Start frequency in GHz
- Y: Stop frequency in GHz
- Z: Maximum attenuation in dB

Examples:

To order an attenuator, 2.5~2.7GHz, N female, 0~20dB attenuation, specify FCAK1-2.5-2.7-20.

Customization is available upon request.