

FWTD180-K2 WRD-180, 200W

Features:
* Low VSWR

Applications:
* Transmitters
* Antennas
* Laboratory Test
* Impedance Matching

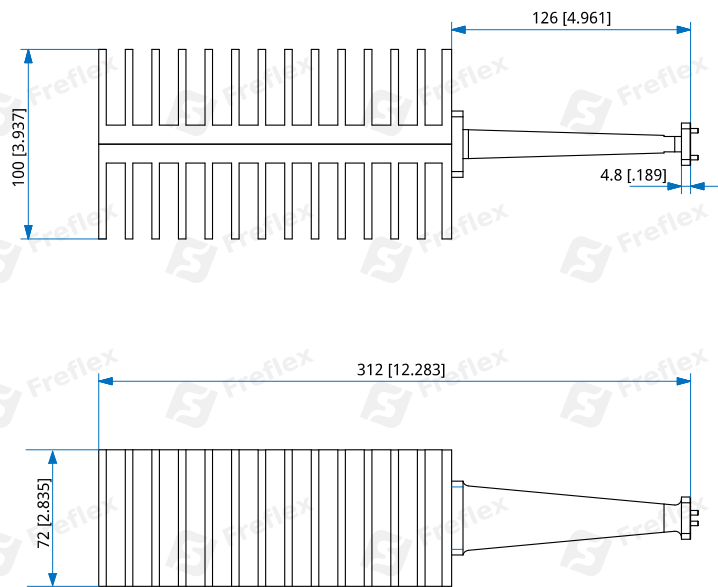
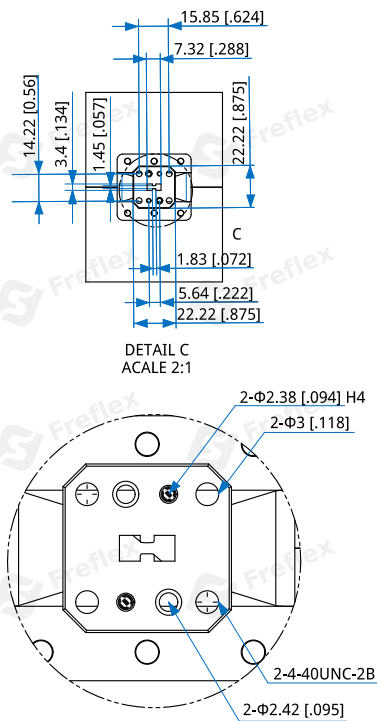
Electrical

Frequency: 18~40GHz
VSWR: 1.25 max.
Average Power: 200W

Mechanical

Waveguide Size: WRD-180
Flange: FPWRD180
Finish: Conductive oxidation
Material: Aluminium
Coating: Grey paint

Outline Drawings



Outline A

Unit: mm [in]
Tolerance: ±0.5mm [±0.02in]

How To Order

FWTD180-K2-Y-Z

Y : Material

Z : Flange type

Material naming rules:

A - Aluminum (Outline A)

Flange naming rules:

8 - FPWRD (Outline A)

Examples:

To order a medium power waveguide termination, WRD-180, 200W, Aluminum, FPWRD180, specify FWTD180-K2-A-8.

Customization is available upon request.