

## FMMTK1 100W

Features:  
\* Low VSWR  
\* Broadband

Applications:  
\* Transmitters  
\* Antennas  
\* Laboratory Test  
\* Impedance Matching

### Electrical

Frequency Range: 0.85~0.96GHz  
1.92~2.17GHz  
Average Power: 100W

Frequency range (GHz)	VSWR	Calibrate Frequency (MHz)
0.85~0.96	1.2~5 (Variable)(±0.5)	905
1.92~2.17		2045

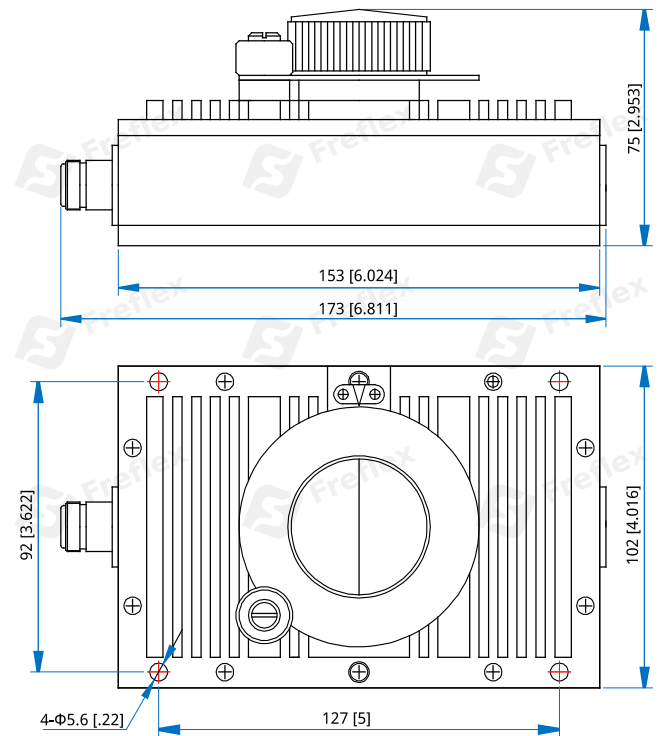
### Mechanical

Connector: N Female  
Weight: 1.6Kg  
Housing: Aluminum  
Outer Conductor: Nickel plated brass  
Female Inner Conductor: Gold plated beryllium copper

### Environmental

Temperature: -40~+65°C

### Outline Drawings



Unit: mm [in]  
Tolerance: ±3%

### How To Order

[FMMTK1-850-960-NF](#)

[FMMTK1-1920-2170-NF](#)

Customization is available upon request.