

FP SA-18000-40000-4-K

18~40GHz, 4dB, 2.92mm

Features:
* Broadband

Applications:
* Wireless
* Transceiver
* Laboratory Test
* Broadcast

Electrical

Frequency: 18~40GHz
Gain: 4dB max.
VSWR: 2.5 max.
Axis Ratio: 7.5dB max.

Mechanical

Connectors: 2.92mm Female
Polarization: Right hand circle polarization
Left hand circle polarization

How To Order

FP SA-18000-40000-4-K-Y

Y : Polarization

Polarization naming rules:

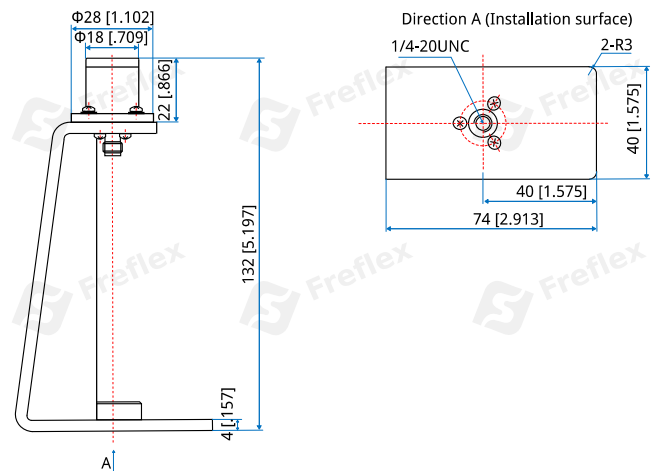
R - Right hand circle polarization

L - Left hand circle polarization

Examples:

To order an Planar Spiral Antenna, 18~40GHz, 4dB, 2.92mm female, Right hand circle polarization, specify FP SA-18000-40000-4-K-R.

Outline Drawings



Unit: mm [in]

Tolerance: $\pm 0.2\text{mm}$ [$\pm 0.008\text{in}$]

Customization is available upon request.