

FP5A-2000-18000-5-P

2~18GHz, -5dB, SMP

Features:
* Broadband

Applications:
* Wireless
* Transceiver
* Laboratory Test
* Broadcast

Electrical

Frequency:	2~18GHz
Gain:	-5dB min.
VSWR:	2.5 max.
Axis Ratio:	5dB max.
Polarization:	Right hand circle polarization

Mechanical

Connectors: SMP Female

How To Order

FP5A-2000-18000-5-P-Y

Y : Polarization

Polarization naming rules:

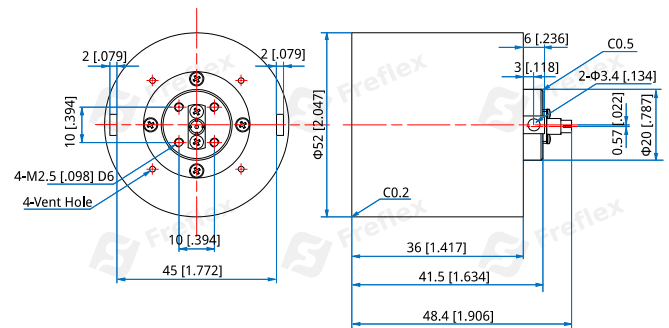
R - Right hand circle polarization

Examples:

To order an Planar Spiral Antenna, 2~18GHz, -5dB, SMP female, Right hand circle polarization, specify FP5A-2000-18000-5-P-R.

Customization is available upon request.

Outline Drawings



Unit: mm [in]

Tolerance: ±0.5mm [±0.02in]