

FP-SA-2000-18000-5-S

2~18GHz, 5dB, SMA

Features:
* Broadband

Applications:
* Wireless
* Transceiver
* Laboratory Test
* Broadcast

Electrical

Frequency: 2~18GHz
Gain: 5dB max.
VSWR: 2.5 max.
Axis Ratio: 5dB max.

Mechanical

Connectors: SMA Female
Polarization: Right hand circle polarization

How To Order

FP-SA-2000-18000-5-S-Y

Y : Polarization

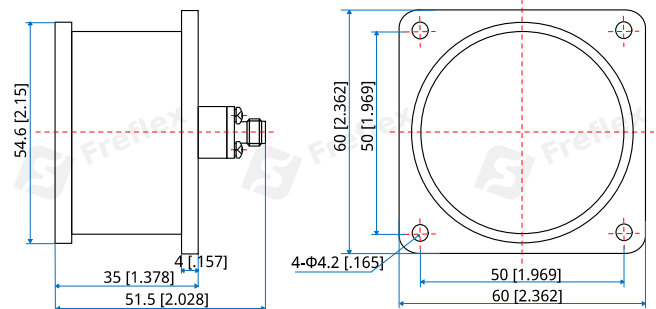
Polarization naming rules:

R - Right hand circle polarization

Examples:

To order an Planar Spiral Antenna, 2~18GHz, 5dB, SMA female, Right hand circle polarization, specify FP-SA-2000-18000-5-S-R.

Outline Drawings



Unit: mm [in]

Tolerance: $\pm 0.2\text{mm}$ [$\pm 0.008\text{in}$]

Customization is available upon request.