

FPDO-E-10-4.8

External Reference, 10MHz, 4.8GHz

Features:

- * High Frequency Stability
- * Ultra Low Phase Noise

Applications:

- * Wireless
- * Transceiver
- * Laboratory Test
- * Radar

Electrical

Output Frequency:	4.8GHz
Output Power:	13dBm typ.
Spurious:	-80dBc max. @±1GHz
Harmonic:	-20dBc max.
External Reference:	10MHz
Input Power:	0±3dBm
Phase Noise:	-89dBc/Hz@100Hz -112dBc/Hz@1KHz -119dBc/Hz@10KHz -119dBc/Hz@100KHz -136dBc/Hz@1MHz
Voltage:	+12V DC
Current:	550mA max.
Lock Indicator (LI):	TTL logic High: locked Low: unlocked

Mechanical

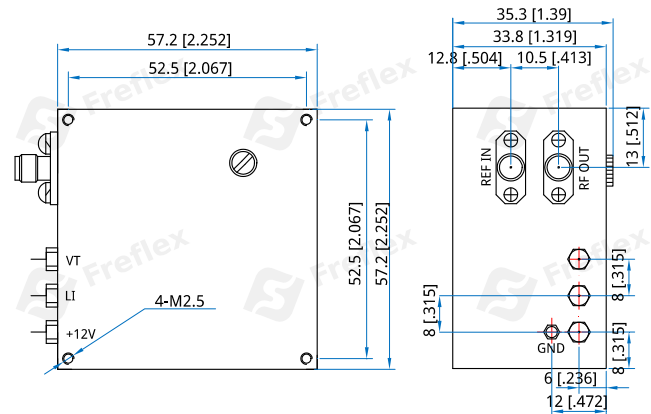
Size*1:	57.2*57.2*33.8mm 2.252*2.252*1.331in
RF Connectors:	SMA Female
Power Supply Interface:	Feed Through/Terminal Post
Mounting:	4-M2.5 through-hole

[1] Exclude connectors.

Environmental

Operating Temperature:	-40~+75°C
Non-operating Temperature:	-55~+85°C

Outline Drawings



Unit: mm [in]

Tolerance: ±0.2mm [±0.008in]

How To Order

FPDO-E-10-4.8

Customization is available upon request.