

## FPDO-E-100-30

External Reference, 100MHz, 30GHz

### Features:

- \* High Frequency Stability
- \* Ultra Low Phase Noise

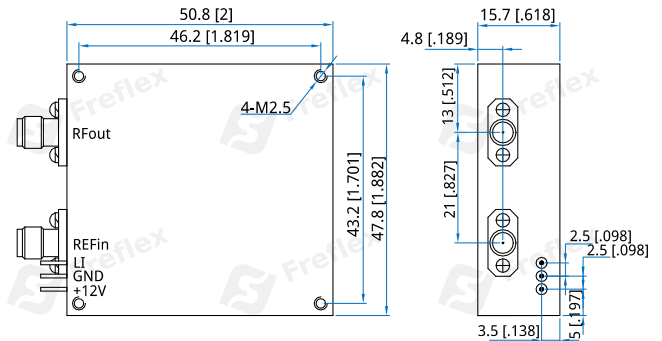
### Applications:

- \* Wireless
- \* Transceiver
- \* Laboratory Test
- \* Radar

### Electrical

Output Frequency:	30GHz
Output Power:	+15dBm min.
Input Power:	-5 - +10dBm
Spurious:	-70dBc min.
Harmonic:	-15dBc min. (@15GHz) -25dBc min. (@45GHz, Design assurance)
External Reference:	100MHz -155dBc/Hz@1KHz -165dBc/Hz@10KHz -168dBc/Hz@100KHz
Phase Noise:	-102dBc/Hz@1KHz -110dBc/Hz@10KHz -110dBc/Hz@100KHz -132dBc/Hz@1MHz
Voltage:	+12V DC
Current:	300mA max.
Lock Indicator (LI):	TTL logic High: locked Low: unlocked

### Outline Drawings



Unit: mm [in]

Tolerance: ±0.2mm [±0.008in]

### How To Order

**FPDO-E-100-30**

Customization is available upon request.

### Mechanical

Size <sup>*1</sup> :	50.8*47.8*15.7mm 2*1.882*0.618in
RFin Connectors <sup>*2</sup> :	SMA Female
Rfout Connectors:	2.92 Female
Power Supply Interface <sup>*3</sup> :	Feed Through/Terminal Post
Mounting:	4-M2.5mm through-hole

[1] Exclude connectors.

[2] Removable, PIN: Ø0.38°.

[3] PIN: Ø0.7°.

### Environmental

Operating Temperature:	-40~+70°C
Non-operating Temperature:	-55~+85°C