

FPDO-E-125-1

External Reference, 125MHz, 1GHz

Features:

- * High Frequency Stability
- * Ultra Low Phase Noise

Applications:

- * Wireless
- * Transceiver
- * Laboratory Test
- * Radar

Electrical

Output Frequency:	1GHz
Output Power:	13dBm min
Output Spurious:	-70dBc max. @±1GHz
Output Harmonic:	-20dBc max.
External Reference:	125MHz(-5~+5dBm)
	-90dBc/Hz@10Hz max.
	-125dBc/Hz@100Hz max.
	-155dBc/Hz@1KHz max.
	-172dBc/Hz@10KHz max.
	-175dBc/Hz@100KHz max.
Phase Noise:	-95dBc/Hz@100Hz
	-127dBc/Hz@1KHz
	-130dBc/Hz@10KHz
	-130dBc/Hz@100KHz
	-140dBc/Hz@1MHz
Voltage:	+12V DC
Current:	300mA max.
Lock Indicator (LI):	TTL logic
	High: locked
	Low: unlocked

Mechanical

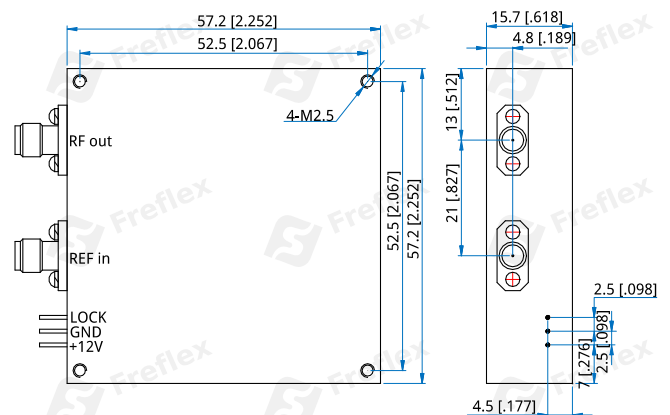
Size*1:	57.2*57.2*15.7mm
	2.252*2.252*0.618in
RF Connectors:	SMA Female
Mounting:	4-M2.5mm through-hole

[1] Exclude connectors.

Environmental

Operating Temperature:	-40~+75°C
Non-operating Temperature:	-55~+85°C

Outline Drawings



Unit: mm [in]
Tolerance: ±0.5mm [±0.02in]

How To Order

FPDO-E-125-1

Customization is available upon request.