

FPDO-E-125-33

External Reference, 125MHz, 33GHz

Features:

- * High Frequency Stability
- * Ultra Low Phase Noise

Applications:

- * Wireless
- * Transceiver
- * Laboratory Test
- * Radar

Electrical

Output Frequency:	33GHz
Output Power:	+7~+12dBm
Output Spurious:	-65dBc max.
Output Harmonic:	-20dBc max.
External Reference:	125MHz
	-70dBc/Hz@10Hz max.
	-100dBc/Hz@100Hz max.
	-130dBc/Hz@1KHz max.
	-150dBc/Hz@10KHz max.
	-155dBc/Hz@100KHz max.
Output Phase Noise:	-18dBc/Hz@10Hz max.
	-48dBc/Hz@100Hz max.
	-78dBc/Hz@1KHz max.
	-88dBc/Hz@10KHz max.
	-88dBc/Hz@100KHz max.
	-115dBc/Hz@1MHz max.
Voltage:	+15V
Current:	450mA max.
Lock Indicator (LI):	TTL logic
	High: locked
	Low: unlocked

Mechanical

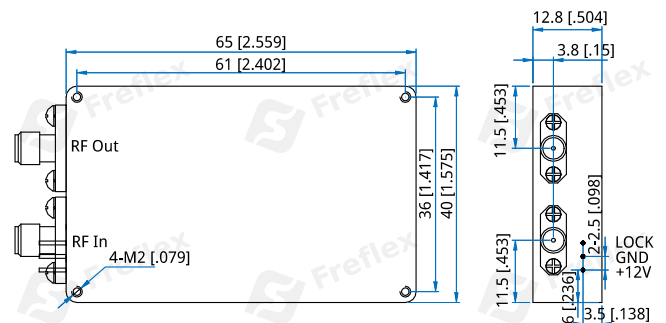
Size ^{*1} :	65*40*12.8mm 2.559*1.575*0.504in
RF In Connectors ^{*2} :	SMA Female
RF Out Connectors ^{*3} :	2.92mm Female
Power Supply Interface ^{*4} :	Feed Through/Terminal Post
Mounting:	4-M2mm through-hole

- [1] Exclude connectors.
 [2] Removable, PIN: $\Phi 0.38^\circ$.
 [3] Removable, PIN: $\Phi 0.3^\circ$.
 [4] PIN: $\Phi 0.7^\circ$.

Environmental

Operating Temperature:	-20~+70°C
Non-operating Temperature:	-55~+85°C

Outline Drawings



Unit: mm [in]
 Tolerance: $\pm 0.2\text{mm}$ [$\pm 0.008\text{in}$]

How To Order

FPDO-E-125-33

Customization is available upon request.