

FPDO-I-50-32

Internal Reference, 50MHz, 32GHz

Features:

- * High Frequency Stability
- * Ultra Low Phase Noise

Applications:

- * Wireless
- * Transceiver
- * Laboratory Test
- * Radar

Electrical

Output Frequency:	32GHz
Frequency Stability:	±0.5ppm max. @-10~+70°C
Output Power:	13±1dBm min
Spurious:	-60dBc max.
Harmonic:	-20dBc max.
Internal Reference:	50MHz
Phase Noise:	-65dBc/Hz@100Hz -75dBc/Hz@1KHz -80dBc/Hz@10KHz -80dBc/Hz@100KHz -115dBc/Hz@1MHz
VSWR:	2 max.
Voltage:	+12V DC
Current:	800mA max.
Lock Indicator (LI):	TTL logic High: locked Low: unlocked

Mechanical

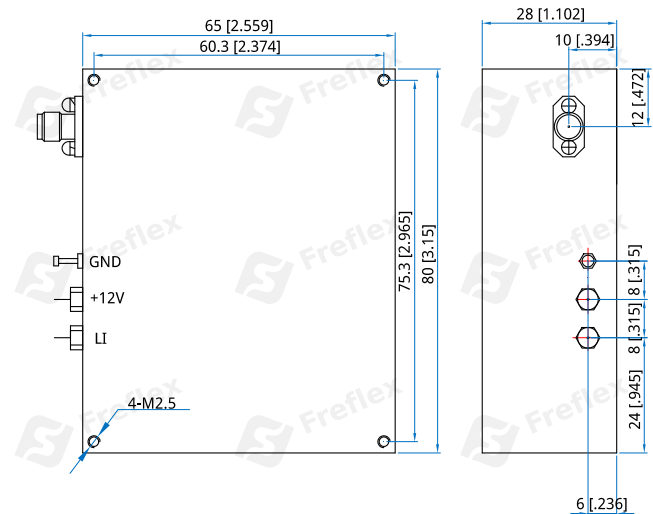
Size ^{*1} :	65*80*28mm 2.559*3.15*1.102in
RF Connectors:	2.92mm Female
Power Supply Interface:	Feed Through/Terminal Post
Mounting:	4-M2.5 through-hole

[1] Exclude connectors.

Environmental

Operating Temperature:	-5~+65°C
Non-operating Temperature:	-40~+85°C

Outline Drawings



Unit: mm [in]

Tolerance: ±0.2mm [±0.008in]

How To Order

FPDO-I-50-32

Customization is available upon request.