

## FPVO-E-100-6.85

External Reference, 100MHz, 6.85GHz,

### Features:

- \* High Frequency Stability
- \* Low Phase Noise

### Applications:

- \* Wireless
- \* Transceiver
- \* Laboratory Test
- \* Radar

### Electrical

Output Frequency:	6.85GHz
External Reference:	100MHz
Input Power:	0±3dBm
Output Power:	13dBm min.
Phase Noise:	-105dBc/Hz@10KHz
Harmonic:	-20dBc max.
Spurious:	-60dBc max.
Voltage:	+12V DC
Current:	550mA max.
Lock Indicator (LI):	TTL logic
	High: locked
	Low: unlocked

### Mechanical

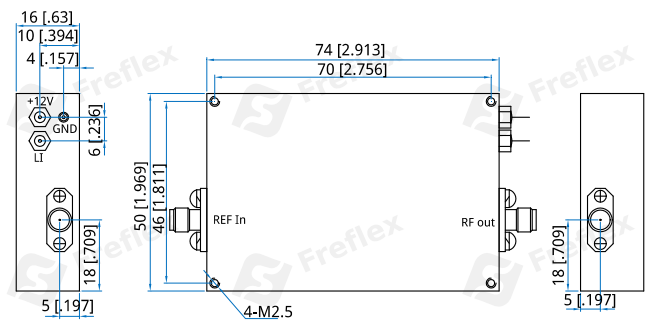
Size <sup>*1</sup> :	74*50*16mm
	2.913*1.969*0.63in
RF Connectors:	SMA Female
Power Supply & Control Interface:	Feed Through/Terminal Post
Mounting:	4-M2.5 through hole

[1] Exclude connectors.

### Environmental

Operating Temperature:	-40~+75°C
Non-operating Temperature:	-55~+85°C

### Outline Drawings



Unit: mm [in]

Tolerance: ±0.2mm [±0.008in]

### How To Order

**FPVO-E-100-6.85**

Customization is available upon request.