

# FPA-0.1-500-40-40

0.1~500MHz, 40dB, 40dBm

**Features:**

- \* Small Size
- \* Low Power Consumption

**Applications:**

- \* Wireless
- \* Transmitter
- \* Laboratory Test

**Electrical**

Frequency:	0.1~500MHz
Gain:	40dB min.
Gain Flatness:	4±1dB max.
Input VSWR:	1.8 max.
Output Power (P1dB):	40dBm min.
Input Power:	2±1dBm +6dBm max.
Spurious:	-65dBc max.
Harmonic:	-10dBc max.
Voltage:	28~30V/5A VCC (Reference) +31V max.
Current:	2~3A max
Impedance:	50Ω

**Mechanical**

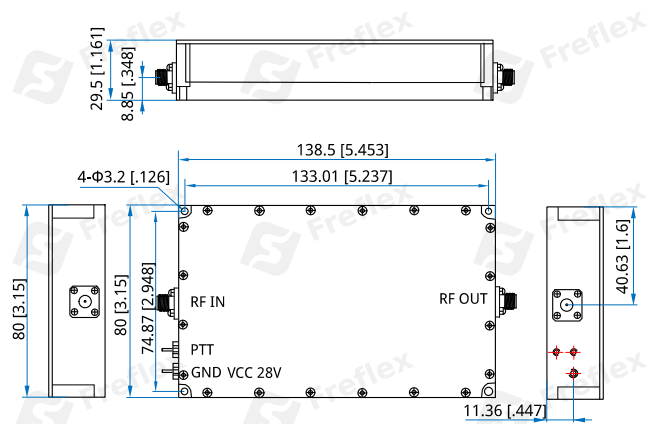
Size <sup>*1</sup> :	138.5*80*29.5mm 5.453*3.15*1.161in
RF Connectors:	SMA Female
Mounting:	4-Φ3.2mm through-hole
Power Supply Interface <sup>*2</sup> :	Feed Through/Terminal Post

[1] Exclude connectors.

[2] Install heat sink during testing.

**Environmental**

Operating Temperature: -25~+55°C

**Outline Drawings**


Unit: mm [in]

Tolerance: ±0.5mm [±0.02in]

**How To Order**

**FPA-0.1-500-40-40**

Customization is available upon request.