

FPA-1.5-30-43-45S

1.5~30MHz, 43dB, 45dBm

Features:

- * Small Size
- * Low Power Consumption

Applications:

- * Wireless
- * Transmitter
- * Laboratory Test

Electrical

Frequency:	1.5~30MHz
Gain:	43dB min.
Gain Flatness:	1±1dB max.
Input VSWR:	1.8 max.
Output Power (Psat):	45dBm min.
Input Power:	1±1dBm
	+6dBm max.
Spurious:	-65dBc max.
Harmonic:	-10dBc max.
Voltage:	28V/6A VCC
	+31V VCC max.
Current:	3~4A max.
Impedance:	50Ω

Mechanical

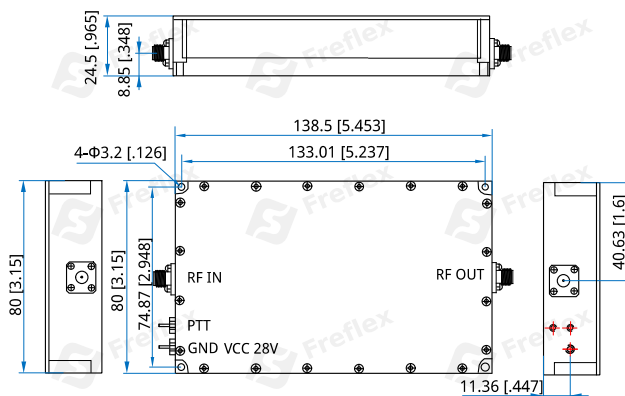
Size ^{*1} :	138.5*80*24.5mm
	5.453*3.15*0.965in
RF In Connectors:	SMA Female
RF Out Connectors:	SMA Female
Mounting ^{*2} :	4-Φ3.2mm through-hole
Protection:	Temperature/Open protect
Power Supply Interface:	Feed Through/Terminal Post

[1] Exclude connectors.

[2] Install heat sink during testing.

Environmental

Operating Temperature: -25~+55°C

Outline Drawings


Unit: mm [in]

Tolerance: ±0.5mm [±0.02in]

How To Order

FPA-1.5-30-43-45S

Customization is available upon request.