

# FPA-10-500-43-44S

10~500MHz, 43dB, 44dBm

**Features:**

- \* Small Size
- \* Low Power Consumption

**Applications:**

- \* Wireless
- \* Transmitter
- \* Laboratory Test

**Electrical**

Frequency:	10~500MHz
Gain:	43dB min.
Gain Flatness:	1±1dB max.
Input VSWR:	1.8 max.
Output Power (Psat):	44dBm min.
Input Power:	2±1dBm +10dBm max.
Spurious:	-65dBc max.
Harmonic:	-10dBc max.
Voltage:	28V/6A VCC
Current:	3A max
Impedance:	50Ω

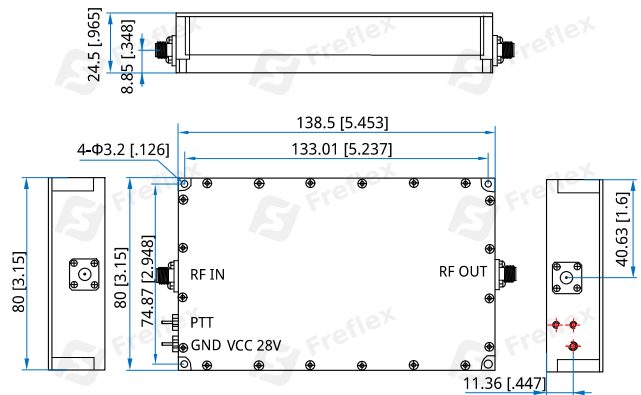
**Mechanical**

Size <sup>*1</sup> :	138.5*80*24.5mm 5.453*3.15*0.965in
RF In Connectors:	SMA Female
RF Out Connectors:	SMA Female
Mounting:	4-Φ3.2mm through-hole
Power Supply Interface:	Feed Through/Terminal Post

[1] Exclude connectors.

**Environmental**

Operating Temperature:	-25~+55°C
------------------------	-----------

**Outline Drawings**


Unit: mm [in]

Tolerance: ±0.5mm [±0.02in]

**How To Order**

**FPA-10-500-43-44S**

Customization is available upon request.