

# FPA-100-500-43-40S

## 0.1~0.5GHz, 43dB, 40dBm

**Features:**

- \* Small Size
- \* Low Power Consumption

**Applications:**

- \* Wireless
- \* Transmitter
- \* Laboratory Test

**Electrical**

Frequency:	0.1~0.5GHz
Gain:	43dB min.
Gain Flatness:	2±1dB max.
Output Power (P1dB):	37dBm min.
Output Power (Psat):	40dBm min.
Spurious:	-65dBc max.
Harmonic:	-15dBc max. @4W
Input VSWR:	1.6 max.
Input Power:	2±1dBm +6dBm max.
Voltage:	28V/6A VCC +31V VCC max.
Current:	2.6A max.
PTT:	3.3~5V (On)

**Mechanical**

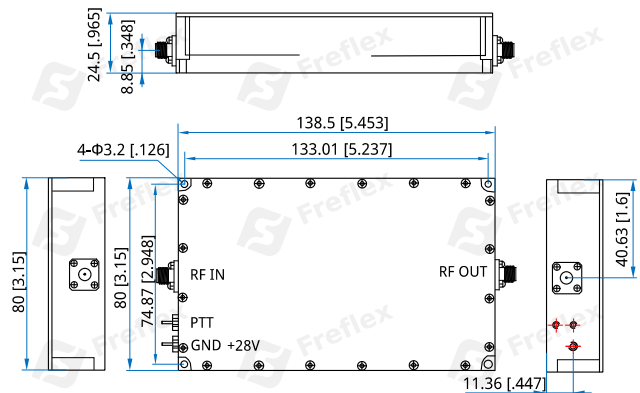
Size*1:	138.5*80*24.5mm 5.453*3.15*0.965in
RF Connectors:	SMA Female
Power Supply Connectors:	Feed Through/Terminal Post
Protection Function:	Over 80°C protection Open circuit protection
Mounting:	4-Φ3.2mm through-hole

[1] Exclude connectors.

[2] Install heat sink during testing.

**Environmental**

Operating Temperature: -25~+55°C

**Outline Drawings**


Unit: mm [in]

Tolerance: ±0.2mm [±0.008in]

**How To Order**

**FPA-100-500-43-40S**

Customization is available upon request.