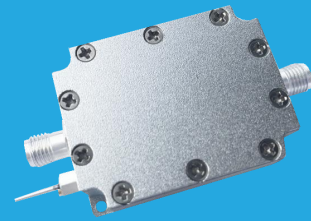


# FPA-20-1000-36-18

0.02~1GHz, 36dB, 18dBm

**Features:**

- \* Small Size
- \* Low Power Consumption
- \* Wireless
- \* Transmitter
- \* Laboratory Test


**Electrical**

Frequency:	0.02~1GHz
Gain:	36dB min.
Gain Flatness:	±2.5dB typ.
Output Power (P1dB):	18dBm typ.
Spurious:	-60dBc typ.
Harmonic:	-30dBc typ.
Input VSWR:	2 typ. @20~50MHz 1.35 typ. @50~1000MHz
Output VSWR:	2 typ.
Voltage:	+5V DC
Current:	300mA typ.
Input Power:	-3dBm max.

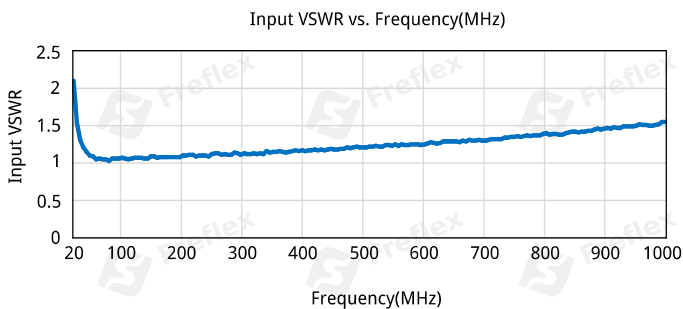
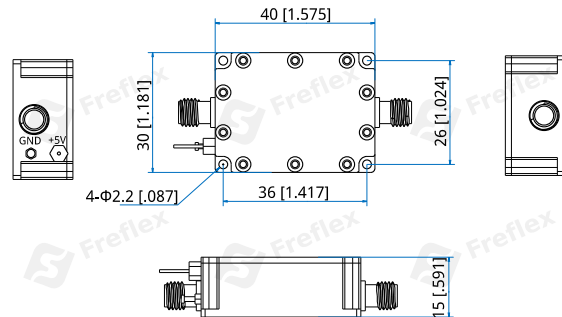
**Mechanical**

Size*1:	40*30*15mm 1.575*1.181*1.024in
RF Connectors:	SMA Female
Power Supply Connectors:	Feed Through/Terminal Post
Mounting:	4-Φ2.2mm through-hole

[1] Exclude connectors.

**Environmental**

Operating Temperature: -20~+50°C

**Typical Performance Characteristics**

**Outline Drawings**


Unit: mm [in]

Tolerance: ±0.2mm [±0.008in]

**How To Order**

**FPA-20-1000-36-18**

Customization is available upon request.

