

FPA-20-3000-45-42S

0.02~3GHz, 45dB, 42dBm

Features:	Applications:
* Small Size	* Wireless
* Low Power Consumption	* Transmitter
	* Laboratory Test

Electrical

Frequency:	0.02~3GHz
Gain:	45dB min.
Gain Flatness:	6±2dB max.
Output Power* ¹ (Psat):	42~43dBm min.
Input Power:	4±2dBm ±6dBm max.
Spurious:	-65dBc max.
Harmonic:	-7dBc min.
Input VSWR:	3 max.
Voltage:	28V/6A VCC (Reference) +31V max.
PTT:	3.3~5V (On)
Current:	3.6A max.
Protection Function:	80°C protection, No open circuit protection
Impedance:	50Ω

[1] The power of 20~350MHz is between 15W-20W.

Environmental

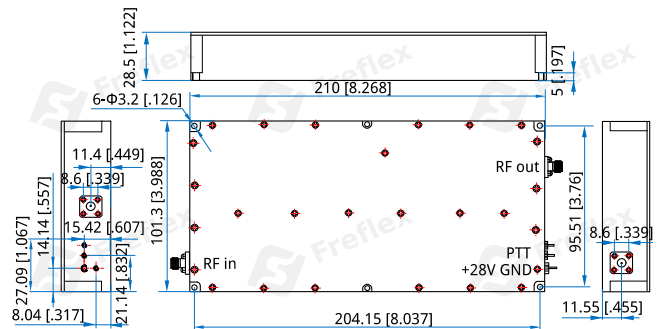
Operating Temperature: -25~+55°C

Mechanical

Size* ² :	210*101.3*28.5mm 8.268*3.988*1.122in
RF Connectors:	SMA Female
Mounting:	6-Φ3.2mm through-hole
Power Supply Connectors* ³ :	Feed Through/Terminal Post

[2] Exclude connectors.
[3] Install heat sink during testing.

Outline Drawings



Unit: mm [in]
Tolerance: ±0.2mm [±0.008in]

How To Order

FPA-20-3000-45-42S

Customization is available upon request.