

# FPA-20-512-45-44.8S

## 0.02~0.512GHz, 45dB, 44.8dBm

**Features:**

- \* Small Size
- \* Low Power Consumption

**Applications:**

- \* Wireless
- \* Transmitter
- \* Laboratory Test

**Electrical**

Frequency:	0.02~0.512GHz
Gain:	45dB min.
Gain Flatness:	2±1dB max.
Output Power (Psat):	44.8dBm min.
Spurious:	-65dBc max.
Harmonic:	-10dBc max. @30W
Input VSWR:	1.8 max.
Input Power:	2±1dBm +6dBm max.
Voltage:	28V/7A VCC +31V VCC max.
Current:	3~4A max.
PTT:	3.3~5V (On)
Protection Function:	Over 80°C protection

**Mechanical**

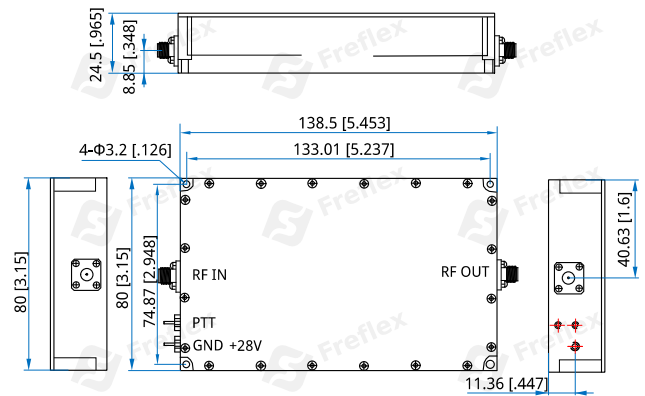
Size <sup>*1</sup> :	138.5*80*24.5mm 5.453*3.15*0.965in
RF Connectors:	SMA female
Power Supply Connectors <sup>*2</sup> :	Feed through/Terminal post
Mounting:	4-Φ3.2mm through-hole

[1] Exclude connectors.

[2] Install heat sink during testing.

**Environmental**

Operating Temperature: -25~+55°C

**Outline Drawings**


Unit: mm [in]

Tolerance: ±0.2mm [±0.008in]

**How To Order**

**FPA-20-512-45-44.8S**

Customization is available upon request.