

# FPA-20-512-47-47S

## 20~512MHz, 47dB, 47dBm

**Features:**

- \* Small Size
- \* Low Power Consumption

**Applications:**

- \* Wireless
- \* Transmitter
- \* Laboratory Test

**Electrical**

Frequency:	20~512MHz
Gain:	47dB min.
Gain Flatness:	2±1dB max.
Input VSWR:	1.8 max.
Output Power (Psat):	47dBm min.
Input Power:	2±1dBm +6dBm max.
Spurious:	-65dBc max.
Harmonic:	-10dBc max.
PTT:	5V (On)
Voltage:	28V/10A VCC
Current:	6~8A max.
Impedance:	50Ω

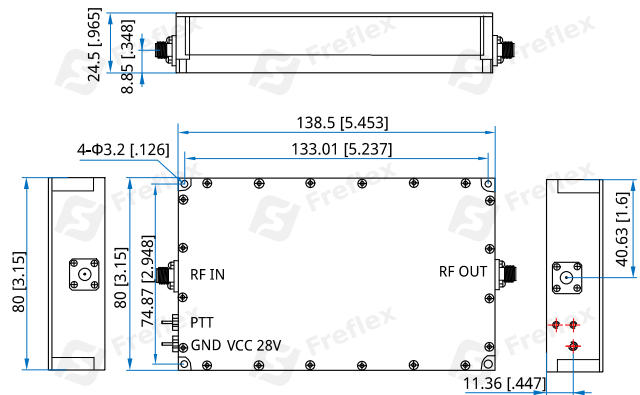
**Mechanical**

Size*1:	138.5*80*24.5mm 5.453*3.15*0.965in
RF In Connectors:	SMA Female
RF Out Connectors:	SMA Female
Mounting:	4-Φ3.2mm through-hole
Power Supply Interface:	Feed Through/Terminal Post

[1] Exclude connectors.

**Environmental**

Operating Temperature: -25~+55°C

**Outline Drawings**


Unit: mm [in]

Tolerance: ±0.5mm [±0.02in]

**How To Order**

**FPA-20-512-47-47S**

Customization is available upon request.