

FPA-30-80-16-23

30~80MHz, 16dB, 23dBm

Features:

- * Small Size
- * Low Power Consumption

Applications:

- * Wireless
- * Transmitter
- * Laboratory Test

Electrical

Frequency:	30~80MHz
Gain:	16dB min.
Gain Flatness:	±1dB typ.
Noise Figure:	3dB max.
Output Power (Psat):	23dBm typ.
Spurious:	-60dBc typ.
Harmonic:	-12dBc typ.
VSWR:	1.8 max.
Voltage:	12V
Impedance:	50Ω
Input Power:	+6dBm typ.

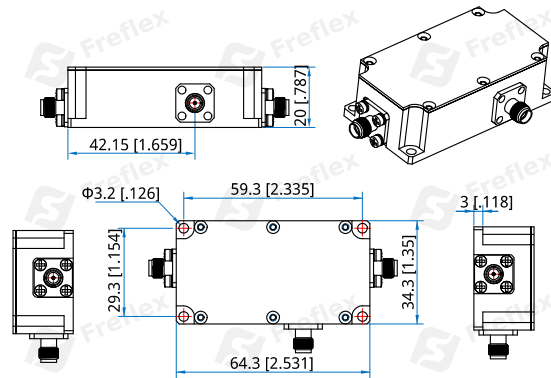
Mechanical

Size ^{*1} :	64.3*34.3*20mm 2.531*1.35*0.787in
RF Connectors:	N Female
Power Supply Connectors:	SMA Female
Mounting:	4-Φ3.2mm through-hole
Cooling:	Forced Air

[1] Exclude connectors.

Environmental

Operating Temperature:	-10~+50°C
------------------------	-----------

Outline Drawings


Unit: mm [in]

Tolerance: ±0.2mm [±0.008in]

How To Order

FPA-30-80-16-23

Customization is available upon request.