

FPA-40-80-43-44S

40~80MHz, 43dB, 44dBm

Features:

- * Small Size
- * Low Power Consumption

Applications:

- * Wireless
- * Transmitter
- * Laboratory Test

Electrical

Frequency:	40~80MHz
Gain:	43dB min.
Gain Flatness:	1±1dB max.
Input VSWR:	1.8 max.
Output Power (Psat):	44dBm min.
Input Power:	1±1dBm +5dBm max.
Spurious:	-65dBc max.
Harmonic:	-11dBc max.
Voltage:	28V/6A VCC
Current:	3A max
Impedance:	50Ω

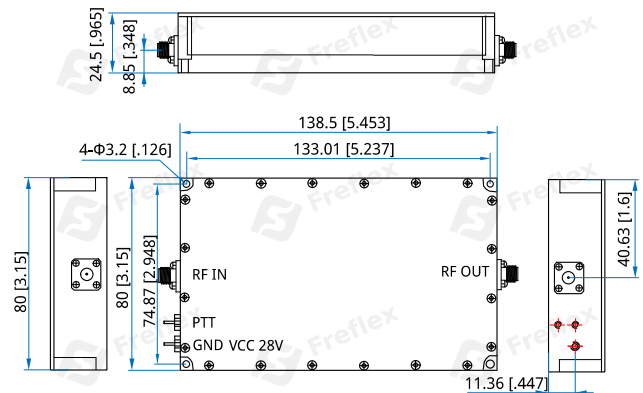
Mechanical

Size*1:	138.5*80*24.5mm 5.453*3.15*0.965in
RF In Connectors:	SMA Female
RF Out Connectors:	SMA Female
Mounting:	4-Φ3.2mm through-hole
Power Supply Interface:	Feed Through/Terminal Post

[1] Exclude connectors.

Environmental

Operating Temperature:	-25~+55°C
------------------------	-----------

Outline Drawings


Unit: mm [in]

Tolerance: ±0.5mm [±0.02in]

How To Order
FPA-40-80-43-44S

Customization is available upon request.