

FPA-5-500-35-38S

5~500MHz, 35dB, 38dBm

Features:

- * Small Size
- * Low Power Consumption

Applications:

- * Wireless
- * Transmitter
- * Laboratory Test


Electrical

Frequency:	5~500MHz
Gain:	35dB min.
Gain Flatness:	±1.5dB typ.
VSWR:	2 typ.
Output Power (Psat):	38dBm typ.
Output Power (P1dB):	37dBm typ.
Spurious:	-60dBc max.
Reverse Isolation:	-60dB typ.
Voltage:	+24V DC (Outline A) +85~+264V AC (Outline B)
Current:	1A typ. (Outline A)
Impedance:	50Ω

Absolute Maximum Ratings*1

RF Input Power:	+10dBm
Voltage:	+35V (Outline A)

[1] Permanent damage may occur if any of these limits are exceeded.

Mechanical

RF Connectors: SMA Female

Environmental

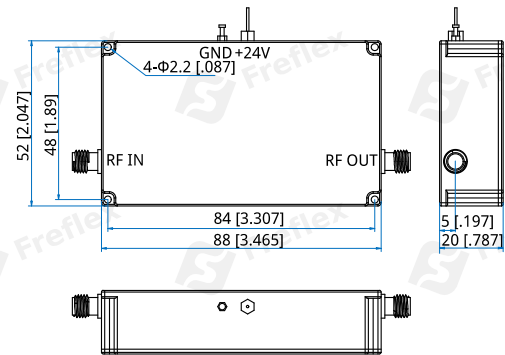
Operating Temperature: -25~+55°C

How To Order

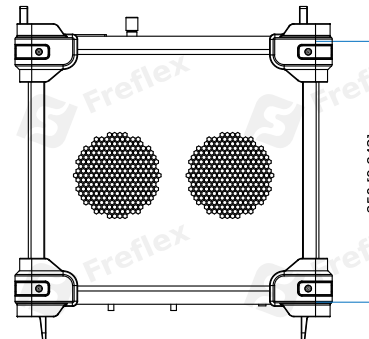
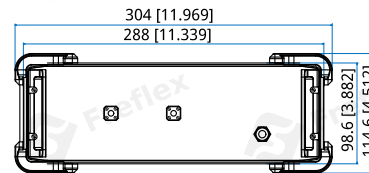
FPA-5-500-35-38S - Outline A

FPAS-5-500-35-38S - Outline B, AC-Powered unit with 0-000007 enclosure, see outline details in enclosure document.

Customization is available upon request.

Outline Drawings


Outline A

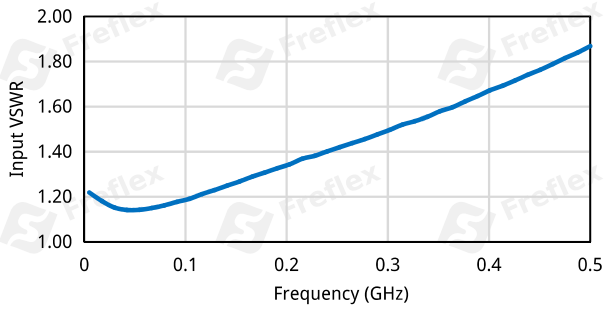


Outline B

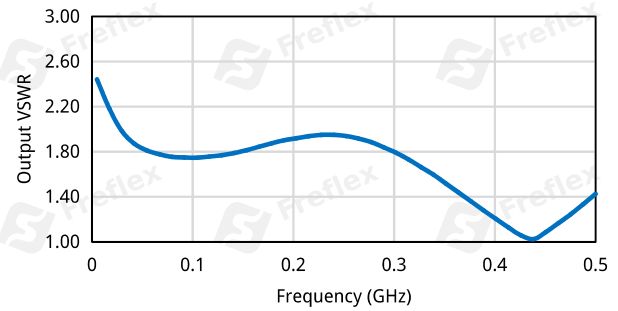
Unit: mm [in]
Tolerance: ±0.2mm [±0.008in]

Typical Performance Curves

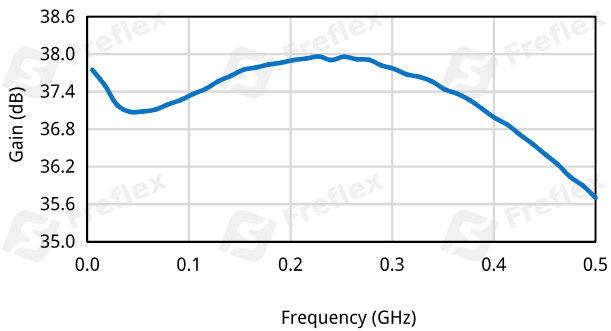
Input VSWR vs. Frequency



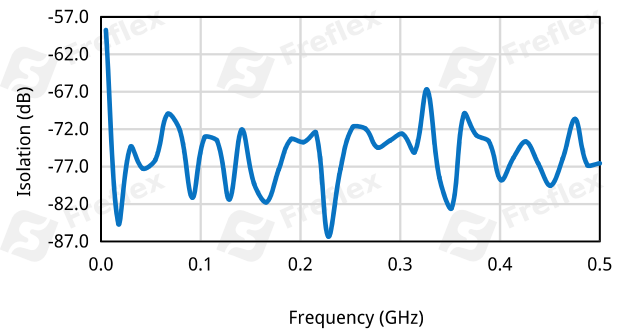
Output VSWR vs. Frequency



Gain vs. Frequency



Isolation vs. Frequency



Power vs. Frequency

