

FPA-8000-18000-17-30S-F

8~18GHz, 17dB, 30dBm

Features:

- * Small Size
- * Low Power Consumption

Applications:

- * Wireless
- * Transmitter
- * Laboratory Test

Electrical

Frequency:	8~18GHz
Gain:	17dB min.
Output Power (P1dB):	+29dBm min.
Output Power (Psat):	+30dBm min.
Input VSWR:	1.6 typ.
Output VSWR:	1.8 typ.
Voltage:	+12V DC typ.
Current:	300mA typ.
Impedance:	50Ω

Absolute Maximum Ratings^{*1}

RF Input Power: +20dBm typ.

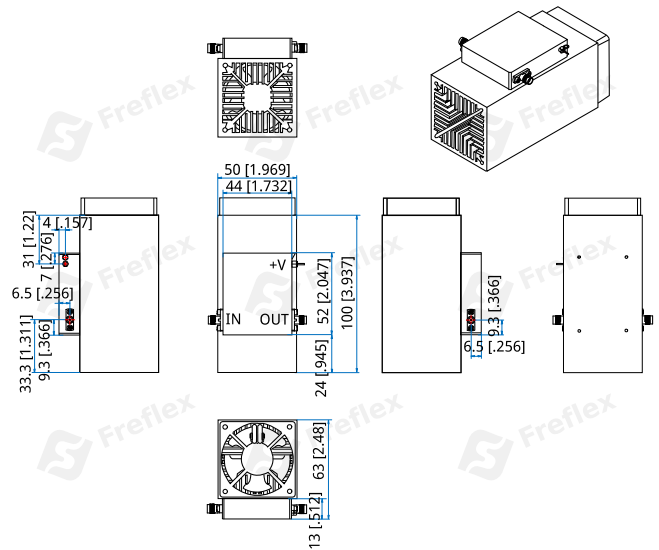
[1] Permanent damage may occur if any of these limits are exceeded.

Mechanical

Size^{*2}: 50*100*63mm
1.969*3.937*2.48in

RF Connectors: SMA Female

[2] Exclude connectors and fan.

Outline Drawings


Unit: mm [in]

Tolerance: ±0.2mm [±0.008in]

How To Order

FPA-8000-18000-17-30S-F

Customization is available upon request.