

FPW28

WR-28

Features:
* Low VSWR

Applications:
* Wireless
* Radar
* Instruments
* Electronics

Electrical

Frequency:	26.5-40GHz
VSWR:	1.25 max.
Insertion Loss:	0.25dB max.
Withstand Air Pressure:	30PSI min.
Peak Power:	1KW min. (10% duty-cycle)

Mechanical

Waveguide Size:	WR-28 (BJ320)
Flange:	FBP320/FBM320
Material:	Copper
Finish:	Pickling passivation
Coating:	Black paint

How To Order

FPW28-X-Y

X: Material

Y: Flange type

Material naming rules:

C - Copper (Outline A)

Flange naming rules:

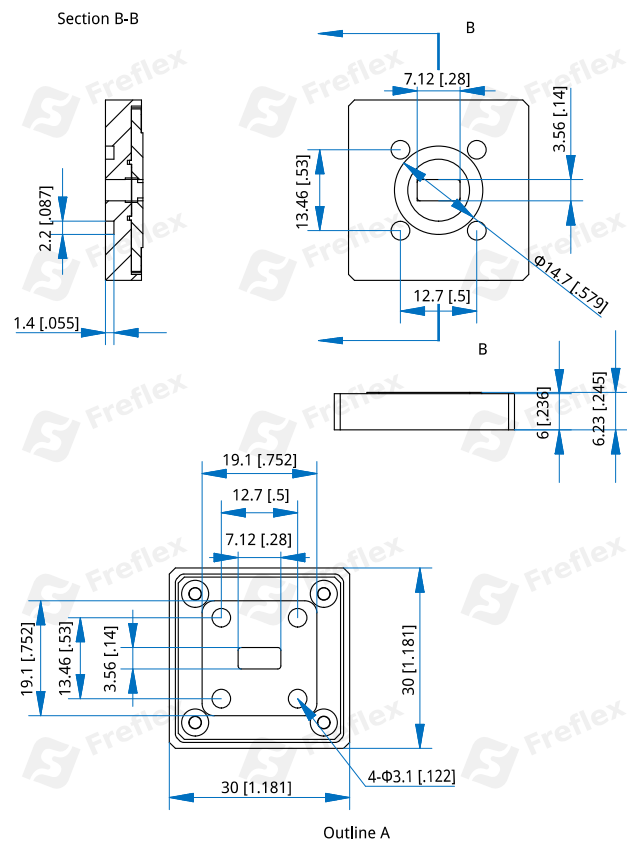
1-3 - FBP320-FBM320 (Outline A)

Examples:

To order a Pressure Window, WR-28, Copper, FBP320/FBM320, specify FPW28-C-1-3.

Customization is available upon request.

Outline Drawings



Unit: mm [in]

Tolerance: ±0.2mm [±0.008in]