

FPW90-C-1

WR-90, Copper

Features:
* Low VSWR

Applications:
* Wireless
* Radar
* Instruments
* Electronics

Electrical

Frequency:	8~11GHz
VSWR:	1.2 max.
Insertion Loss:	0.2dB max.
Power:	300W
Withstand Air Pressure:	0.1MPa min.

Mechanical

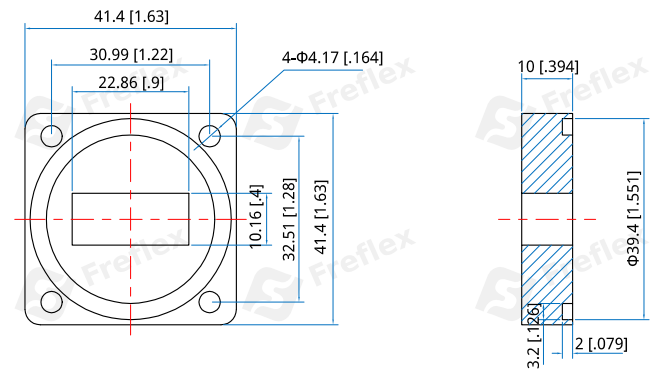
Flange:	FBP100/FBM100
Material:	Copper
Finish:	Pickling passivation
Coating:	Gray paint

How To Order

FPW90-C-1

Customization is available upon request.

Outline Drawings



Unit: mm [in]
Tolerance: ±0.2mm [±0.008in]