

FCPL-MB-B40-01

SMP Connector, DC~26.5GHz

Features:
* Low VSWR

Applications:
* Wireless
* Radar
* Instruments
* Electronics

Electrical

Frequency:	DC~26.5GHz
VSWR:	1.25 max. @12GHz
Impedance of Dielectric:	5000MΩ min.
Voltage Withstand:	500V DC
Impedance:	50Ω

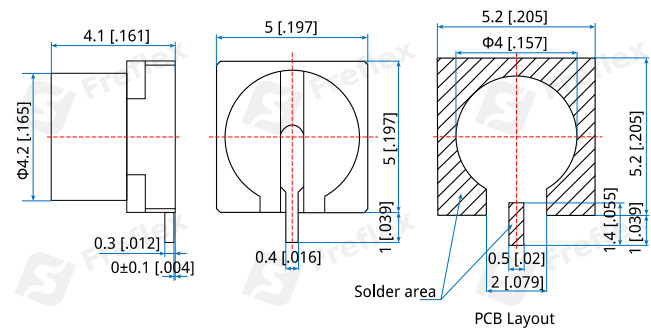
Mechanical

RF Connector:	SMP Male
Mating Life Cycle:	250 cycles
Detent Mode:	Limited detent
Outer Conductor:	Gola plated brass
Dielectric:	LCP/PEEK
Inner Conductor:	Gold plated beryllium copper

Environmental

Temperature:	-55~+155°C
--------------	------------

Outline Drawings



Unit: mm [in]
Tolerance: ±0.2mm [±0.008in]

How To Order

FCPL-MB-B40-01

Customization is available upon request.