

# FSP-50

## DC~50GHz

Features:  
 \* Durable  
 \* Low Insertion Loss  
 \* Low VSWR

Applications:  
 \* Microwave Test

### Specifications

Frequency (GHz)	Pitch ( $\mu\text{m}$ )	Tip Size ( $\mu\text{m}$ )	IL (dB Max.)	VSWR (Max.)	Configuration	Mounting Styles	Connector
DC-50	150	30	0.8	1.4	GSG	45°	2.4mm female

### Electrical

Frequency: DC~50GHz  
 Recommend Overtravel: 50~75 $\mu\text{m}$   
 Impedance: 50 $\Omega$

### Mechanical

Material: Aluminum Alloy  
 Probe Tip Material: Gold plated BeCu

### Environmental

Operating Temperature: -45~+85°C

### How To Order

#### FSP-50-V-W-X-Y-Z-U-T

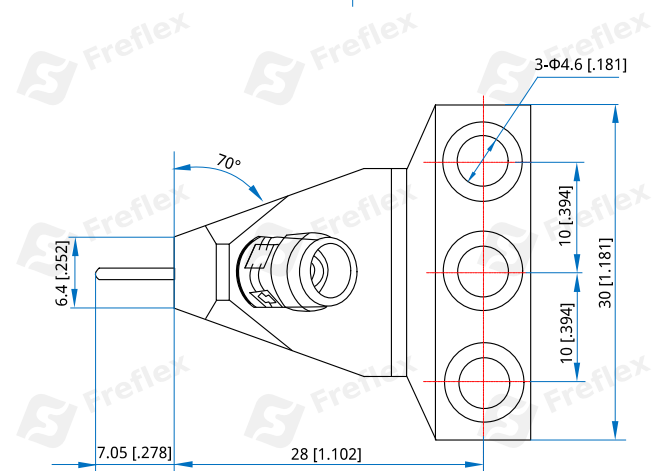
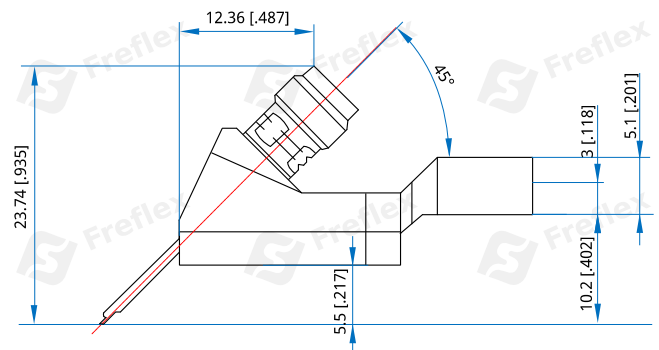
V: Configuration Type.  
 W: Pitch in  $\mu\text{m}$   
 X: Tip Size in  $\mu\text{m}$   
 Y: Mounting Styles. 45°: 45  
 Z: Material. Aluminum alloy: A  
 U: Probe Tip Material. Gold plated BeCu: C  
 T: If there are duplicate models with different appearances.

#### Examples:

To order a single port probe, DC~50GHz, GSG, Pitch 150 $\mu\text{m}$ , 30 $\mu\text{m}$ , 45°, Aluminum alloy, Gold plated BeCu, specify FSP-50-GSG-150-30-45-A-C.

Customization is available upon request.

### Outline Drawings



Unit: mm [inch]

Tolerance:  $\pm 0.25\text{mm}$  [ $\pm 0.01\text{in}$ ]