

## FRC8-2000-18000-K2-NS

### 8-Way, 2~18GHz, 200W

Features:  
 \* Small Size  
 \* Low Insertion Loss  
 \* High Reliability

Applications:  
 \* Radar System  
 \* Communication System  
 \* Power Amplifier System  
 \* Test System

#### Electrical

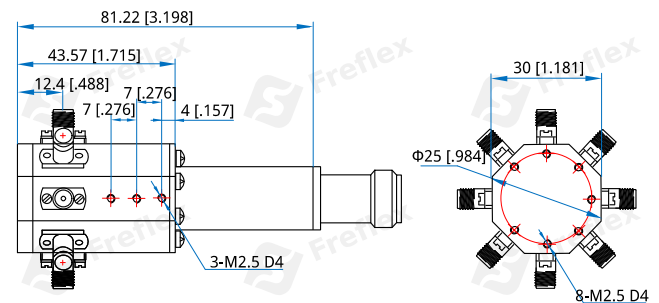
Frequency:	2~18GHz
Insertion Loss:	1.0dB max.
VSWR:	1.6 max.
Amplitude Balance:	±0.8dB max.
Phase Balance:	±8° max.
Impedance:	50Ω
Power @SUM Port:	200W as combiner

#### Mechanical

Size <sup>*1</sup> :	81.22*30*30mm 1.575*1.969*0.472in
Connectors:	SMA Female, N Female
Mounting:	8-M2.5 depth 4mm through-hole 3-M2.5 depth 4mm through-hole

[1] Exclude connectors.

#### Outline Drawings



Unit: mm [in]

Tolerance: ±0.2mm [±0.008in]

#### How To Order

**FRC8-2000-18000-K2-NS**

Customization is available upon request.