

## FRC8-2000-6000-K8-7N

8-Way, 2~6GHz, 800W

### Features:

- \* Small Size
- \* Low Insertion Loss
- \* High Reliability

### Applications:

- \* Radar System
- \* Communication System
- \* Power Amplifier System
- \* Test System

### Electrical

Frequency:	2~6GHz
Insertion Loss:	1dB max.
VSWR:	1.6 max.
Amplitude Balance:	±0.6dB max.
Phase Balance:	±8° max.
Impedance:	50Ω
Power @SUM Port:	800W as combiner

### Mechanical

Size\*1: 110\*70\*70mm  
4.331\*2.756\*2.756in

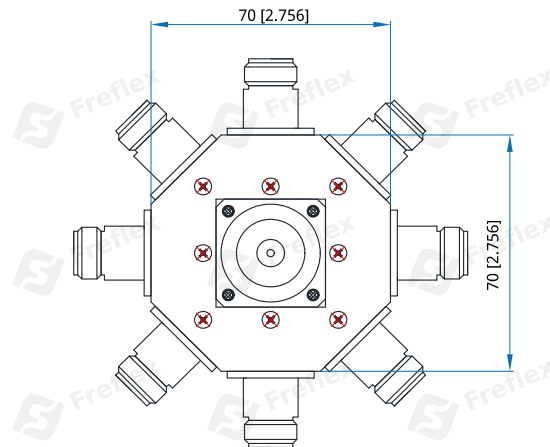
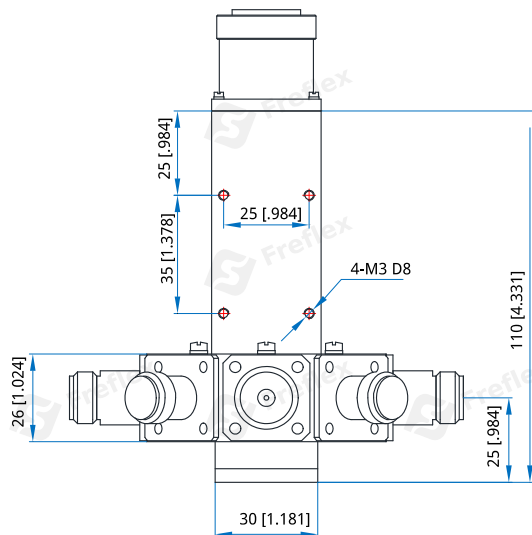
Connectors: 7/16 DIN female, N female

[1] Exclude connectors.

### Environmental

Operation Temperature: -55~+85°C

### Outline Drawings



Unit: mm [in]

Tolerance: ±0.2mm [±0.008in]

\*Ensure dimensions for design.

### How To Order

**FRC8-2000-6000-K8-7N**

Customization is available upon request.