

FWSPNN

N to N

Features:
* Broadband

Applications:
* Any Applications

Electrical

Frequency:	0.8~2.5GHz 2.2~6GHz (Outline C)
VSWR:	1.2 max. 1.25 max. (Outline C)
Insertion Loss:	0.2dB max. (Outline A, Outline B)
RF Power Transmission:	2500W 500W (Outline C)
Dielectric Withstanding Voltage:	2500V RMS, 50Hz, at sea level, min. (Outline C)
Lightning Surge Current:	20kA 30kA (Outline C)
Impedance of Dielectric:	5000MΩ min.
Impedance of Contact (Center):	0.4mΩ max. 1mΩ max. (Outline C)
Impedance of Contact (Outer):	0.2mΩ max. 1mΩ max. (Outline C)
Impedance:	50Ω

Mechanical

RF Connector:	N
Mating Life Cycle:	500 cycles min.
Outer Conductor:	Ternary alloy plated brass
Dielectric:	PTFE
Inner Conductor:	Silver plated brass
Gaskets:	Stainless steel

Environmental

Temperature:	-40~+85°C
Ingress Protection (IP) Rating:	IP 67 (Outline A, Outline B)
Relative Humidity:	95% max. @25°C±2°C (Outline A, Outline B)

How To Order

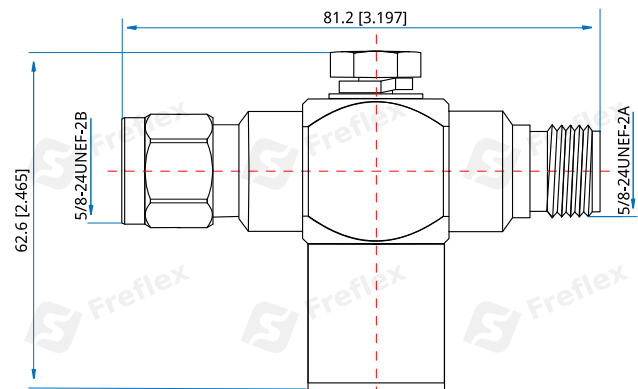
FWSPNN-MF-02 - N(m) to N(f), 0.8~2.5GHz, Outline A

FWSPNN-FF-02 - N(f) to N(f), 0.8~2.5GHz, Outline B

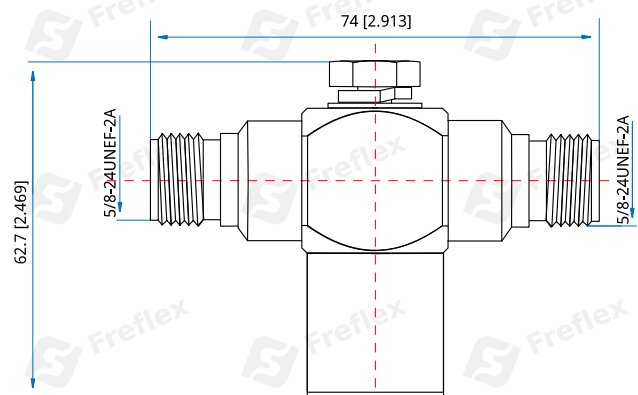
FWSPNN-MF-06 - N(m) to N(f), 2.2~6GHz, Outline C

Customization is available upon request.

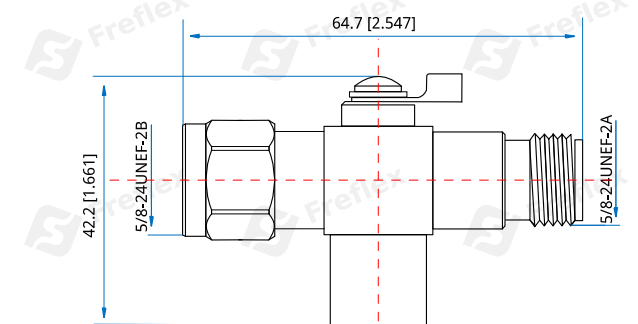
Outline Drawings



Outline A



Outline B



Outline C

Unit: mm [in]

Tolerance: ±0.2mm [±0.008in]