

FRJ1-40000-12

Single Channel, DC~40GHz, 12.5mm

Features:

- * Low VSWR
- * Low VSWR Flatness
- * Low Insertion Loss Flatness

Applications:

- * High Speed Digital Signal Transmission
- * Analog Signal Transmission

Electrical

Frequency:	DC~40GHz
VSWR:	1.3 max. @DC~10GHz 1.45 max. @10~20GHz 1.75 max. @20~40GHz
VSWR Flatness:	0.1 max.
Insertion Loss:	0.25dB@DC~10GHz 0.40dB@10~20GHz 0.70dB@20~40GHz
Insertion Loss Flatness:	0.1dB max.
Average Power:	50W CW@1GHz 500W Peak @1GHz
Peak Power:	3000W max.
IP Grade:	IP40 acc. EN 60529

Environmental

Temperature: -55~+85°C

Mechanical

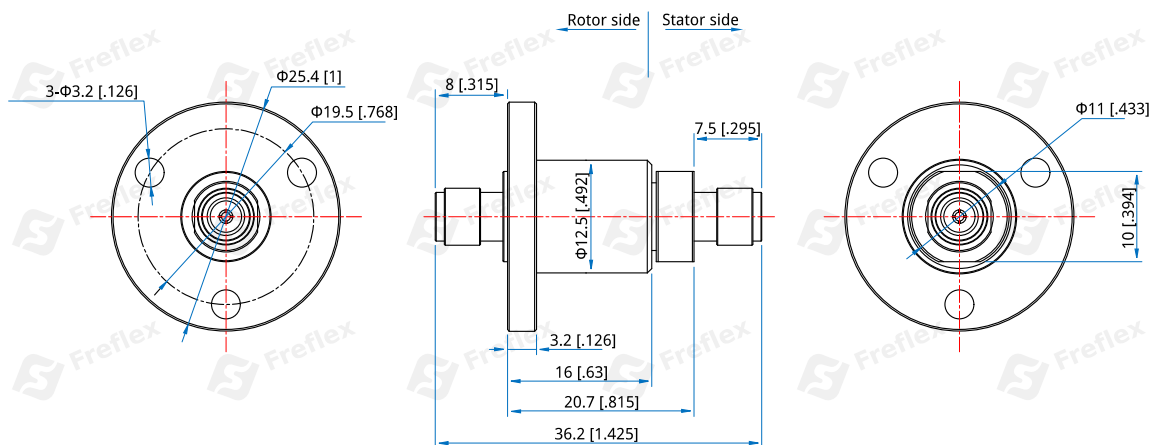
Connectors:	2.92mm female
Rotating Speed:	150RPM max.
Connector Axial Load:	0.1N max.
Rotating Torque:	0.5 N.cm max.
Connector Radial Load:	0.1N max.
Dielectric:	PTFE

How To Order

FRJ1-40000-12

Customization is available upon request.

Outline Drawings



Unit: mm [in]

Tolerance: ±0.2mm [±0.008in]