

## FRJ1-40000-14

Single Channel, DC~40GHz, 14.5mm

### Features:

- \* Low VSWR
- \* Low VSWR Flatness
- \* Low Insertion Loss Flatness

### Applications:

- \* High Speed Digital Signal Transmission
- \* Analog Signal Transmission

### Electrical

Frequency:	DC~40GHz
VSWR:	1.4 max.@DC~18GHz 1.7 max.@18~26.5GHz 2.5 max.@26.5~40GHz
VSWR Flatness:	0.15 max.
Insertion Loss:	0.8dB max.@DC~18GHz 1.2dB max.@18~26.5GHz 2.3dB max.@26.5~40GHz
Insertion Loss Flatness:	0.15dB max.
Average Power:	20W max.@18GHz
Impedance:	50Ω

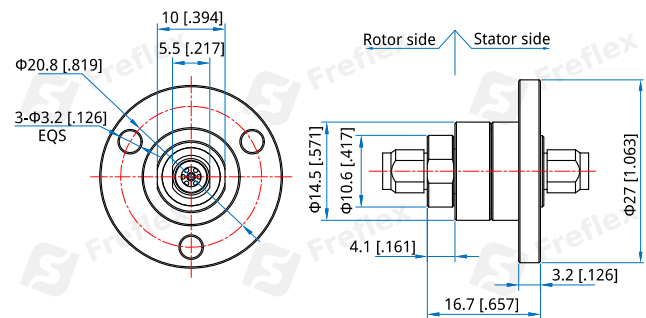
### Mechanical

Connectors:	2.92mm female
Rotating Speed:	100RPM
Operation Life:	5M Cycles
IP Grade:	IP51

### Environmental

Operating Temperature:	-30~+80°C
Operating Humidity:	0~85%

### Outline Drawings



Unit: mm [in]

Tolerance:  $\pm 0.2$ mm [ $\pm 0.008$ in]

### How To Order

**FRJ1-40000-14**

Customization is available upon request.