

## FRJ1-50000-12

Single Channel, DC~50GHz, 12.7mm

**Features:**

- \* Low VSWR
- \* Low VSWR Flatness
- \* Low Insertion Loss Flatness

**Applications:**

- \* High Speed Digital Signal Transmission
- \* Analog Signal Transmission

### Electrical

|                          |   |
|--------------------------|---|
| Frequency:               | DC~50GHz  |
| VSWR:                    | 1.7 max.  |
| VSWR Flatness:           | 0.2 max.  |
| Insertion Loss:          | 0.9dB max.  |
| Insertion Loss Flatness: | 0.1 dB max.   |
| Phase Flatness:          | 2° max.   |
| Average Power:           | 50W max. @1GHz<br>15W max. @10GHz<br>5W max. @26.5GHz<br>3W max. @50GHz |
| Peak Power:              | 3000W max.  |
| IP Grade:                | IP40 acc. EN 60529  |

### Mechanical

|                        |               |
|------------------------|---------------|
| Connectors:            | 2.4mm female  |
| Rotating Speed:        | 150RPM max.   |
| Starting Torque:       | 0.5N.cm max.  |
| Connector Axial Load:  | 0.1N max.     |
| Rotating Torque:       | 0.5 N.cm max. |
| Connector Radial Load: | 0.1N max.     |
| Operation Life:        | 10M Cycles    |
| Dielectric:            | PTFE          |

### How To Order

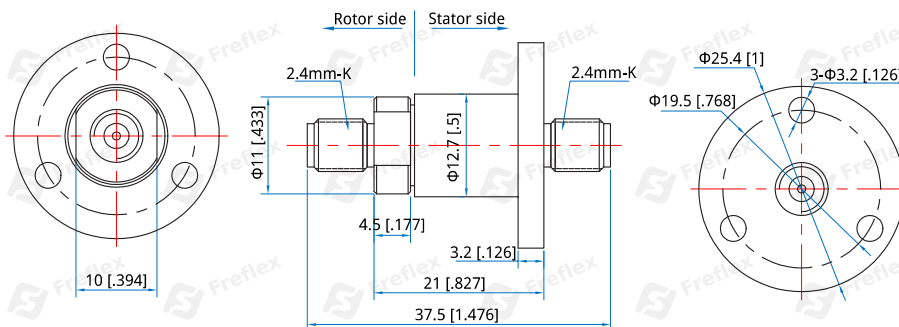
**FRJ1-50000-12**

Customization is available upon request.

### Environmental

Temperature: -55~+85°C

### Outline Drawings



Unit: mm [in]

Tolerance: ±0.2mm [±0.008in]