

FRJ1-50000-14

Single Channel, DC~50GHz, 14.5mm

Features:

- * Low VSWR
- * Low VSWR Flatness
- * Low Insertion Loss Flatness

Applications:

- * High Speed Digital Signal Transmission
- * Analog Signal Transmission

Electrical

Frequency:	DC~50GHz
VSWR:	1.5 max.@DC~18GHz 1.8 max.@18~26.5GHz 2.6 max.@26.5~50GHz
VSWR Flatness:	0.15 max.
Insertion Loss:	0.8dB max.@DC~18GHz 1.2dB max.@18~26.5GHz 2.5dB max.@26.5~50GHz
Insertion Loss Flatness:	0.15dB max.
Average Power:	20W max.@18GHz
Impedance:	50Ω

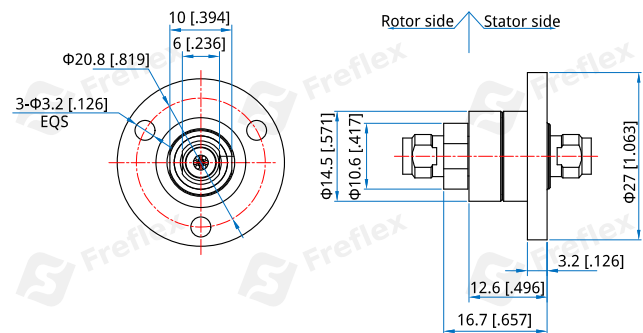
Mechanical

Connectors:	2.4mm female
Rotating Speed:	100RPM
Operation Life:	5M Cycles
IP Grade:	IP51

Environmental

Operating Temperature:	-30~+80°C
Operating Humidity:	0~85%

Outline Drawings



Unit: mm [in]

Tolerance: ±0.2mm [±0.008in]

How To Order

FRJ1-50000-14

Customization is available upon request.