

FRJ2-4500-31-1

Channel 2, DC~4.5GHz, 31.7mm

Features:

- * Low VSWR
- * Low VSWR Flatness
- * Low Insertion Loss Flatness

Applications:

- * High Speed Digital Signal Transmission
- * Analog Signal Transmission

Electrical

Frequency:	DC~4.5GHz
VSWR (Channel 1):	1.25 max.
VSWR Flatness:	0.1 max.
VSWR (Channel 2):	1.6 max.
VSWR Flatness:	0.2 max.
Insertion Loss (Channel 1):	0.2dB max.
Insertion Loss Flatness:	0.15dB max.
Insertion Loss (Channel 2):	0.8dB max.
Insertion Loss Flatness:	0.2dB max.
Average Power:	50W max. @1GHz
Peak Power:	1000W max.
Isolation:	60dB min.
Impedance:	50Ω

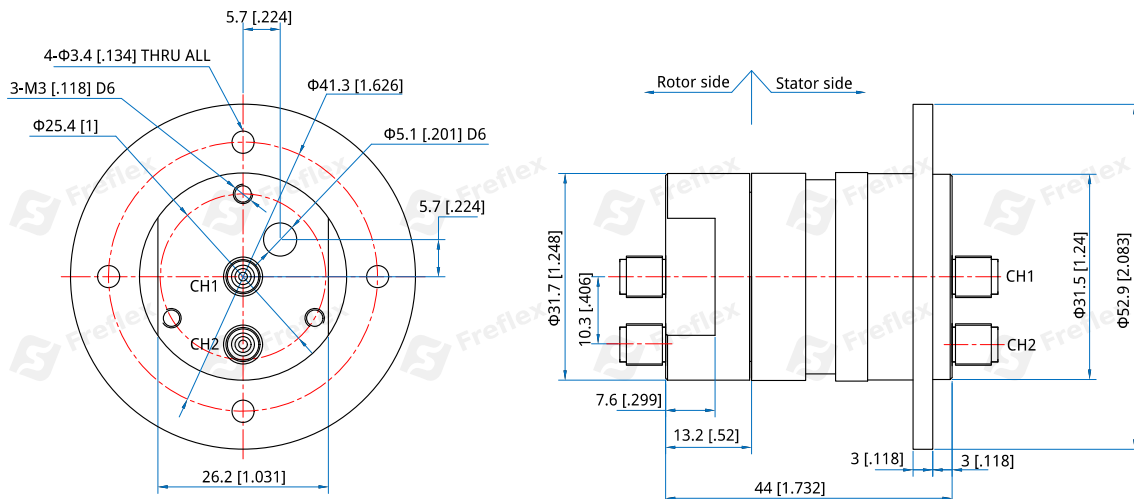
Mechanical

Connectors:	SMA female
Rotating Speed:	50RPM max.
Rotating Torque:	5Nm.cm @normal temperature
Operation Life:	5M cycles
Contact Material:	Gold
Housing:	Aluminum alloy
Finish:	Conductive oxidation
IP Grade:	IP51

Environmental

Operating Temperature:	-40~+70°C
	-45~+85°C (Military optional)
Operating Humidity:	0~95%
	0~97% (Military optional)

Outline Drawings



Unit: mm [in]

Tolerance: ±0.5mm [±0.02in]

How To Order

FRJ2-4500-31-1

Customization is available upon request.