

FRJ4-40000-45

Channel 1, DC~40GHz, Channel 2, 3, 4, DC~18GHz, 45mm

Features:

- * Low VSWR
- * Low VSWR Flatness
- * Low Insertion Loss Flatness

Applications:

- * High Speed Digital Signal Transmission
- * Analog Signal Transmission

Electrical

Frequency (Channel 1):	DC~40GHz
Frequency (Channel 2, 3, 4):	DC~18GHz
VSWR (Channel 1):	2.2 max.
VSWR Flatness:	0.25 max.
VSWR (Channel 2, 3, 4):	3.5 max.
VSWR Flatness:	1 max.
Insertion Loss (Channel 1):	2.4dB max.
Insertion Loss Flatness:	0.25dB max.
Insertion Loss (Channel 2, 3, 4):	3.8dB max.
Insertion Loss Flatness:	1dB max.
Isolation:	50dB min.
Average Power:	5W max.
Impedance:	50Ω

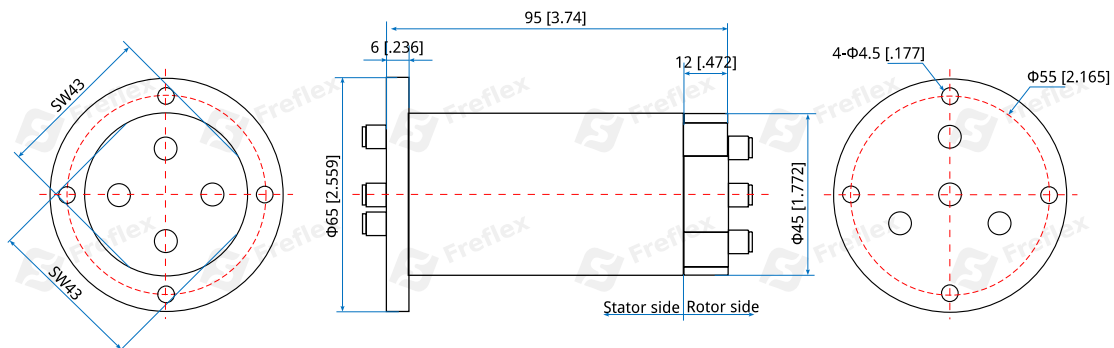
Mechanical

Connectors (Channel 1):	2.92mm female
Connectors (Channel 2, 3, 4):	SMA female
Rotating Speed:	50RPM max.
Starting Torque:	0.5Nm max.
Rotating Torque:	0.3Nm max.
Operation Life:	5M cycles min.
IP Grade:	IP51

Environmental

Operating Temperature:	-40~+65°C
Non-operation Temperature:	-50~+70°C

Outline Drawings



Unit: mm [in]

Tolerance: ±0.5mm [±0.02in]

How To Order

FRJ4-40000-45

Customization is available upon request.