

FSLA-11400-12750-55-60

Ku-Band, 11.4~12.75GHz, 55dB, 60K

Features:

- * Broad Band
- * Low Noise Temperature
- * Low Input VSWR

Applications:

- * Fixed Station
- * Mobile Station
- * Laboratory Test

Electrical

Frequency:	11.4~12.75GHz
Gain:	55dB
Gain Flatness:	±0.75dBp-p max.
Gain Variation (within the operating temperature range):	±1.5dB max.
Gain Stability (at constant temperature):	±0.1dB/h, ±0.2dB/24h
Noise Temperature:	60K
Output Power (P1dB):	10dBm min.
Non Damaging Input Power:	0dBm max.
Input/Output VSWR:	2.5/1.5
Spurious:	-60dBc max.
Voltage:	+15V DC (12~18V DC)
Current:	80mA typ.
Impedance:	50Ω

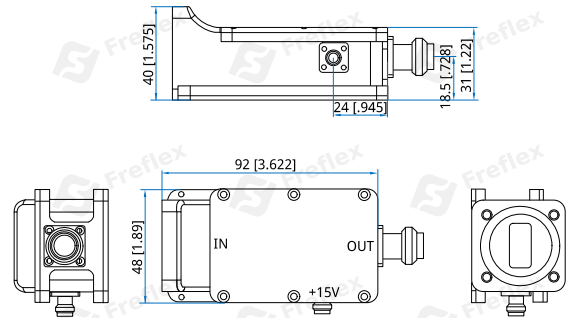
Mechanical

Size*1:	92*48*40mm 3.622*1.89*1.575in
Input Waveguide Size:	WR-75 (BJ120)
Output Connectors:	SMA Female or N Female
Flange:	FBM120
Power Supply Interface:	SMA Female
Weight:	400g

[1] Exclude connectors.

Environmental

Operating Temperature:	-40~+60°C
Operating Humidity:	5%~100%

Outline Drawings


Unit: mm [in]

Tolerance: ±0.5mm [±0.02in]

How To Order

FSLA-11400-12750-55-60-X

Y: Output connector type

Connector naming rules:

S - SMA female

N - N female

Examples:

To order a Satcom Low Noise Amplifier, 11.4~12.75GHz, 55dB, 60K, SMA female, specify FSLA-11400-12750-55-60-S.

Customization is available upon request.