

## FSLA-17300-22300-55-170

Ka-Band, 17.3~22.3GHz, 55dB, 170K

**Features:**

- \* Broad Band
- \* Low Noise Temperature
- \* Low Input VSWR

**Applications:**

- \* Fixed Station
- \* Mobile Station
- \* Laboratory Test

**Electrical**

Frequency:	17.3~22.3GHz
Gain:	55dB
Gain Flatness:	±2.5dBp-p max.
Gain Variation (within the operating temperature range):	±1.5dB max.
Gain Stability (at constant temperature):	±0.1dB/h, ±0.2dB/24h
Noise Temperature:	170K
Output Power (P1dB):	5dBm min.
Non Damaging Input Power:	0dBm max.
Input/Output VSWR:	2.5/2.0
Spurious:	-60dBc max.
Voltage:	+15V DC (12~18V DC)
Current:	100mA typ.
Impedance:	50Ω

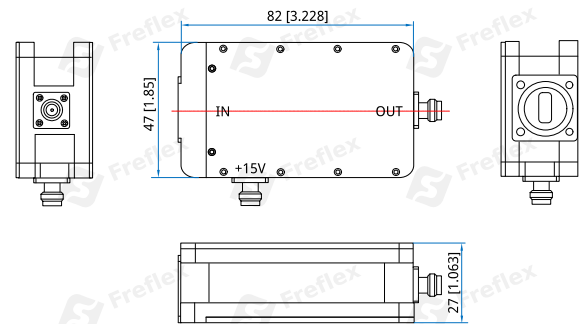
**Mechanical**

Size*1:	82*47*27mm 3.228*1.85*1.063in
Input Waveguide Size:	WR-42 (BJ220)
Output Connectors:	2.92mm Female or SSMA Female
Flange:	FBM220
Power Supply Interface:	SMA Female

[1] Exclude connectors.

**Environmental**

Operating Temperature:	-40~+60°C
Operating Humidity:	5%~100%

**Outline Drawings**


Unit: mm [in]

Tolerance: ±0.5mm [±0.02in]

**How To Order**

**FSLA-17300-22300-55-170-X**

X: Output connector type

Connector naming rules:

K - 2.92mm female

A - SSMA female

Examples:

To order a Satcom Low Noise Amplifier, 17.3~22.3GHz, 55dB, 170K, 2.92mm female, specify FSLA-17300-22300-55-170-K.

Customization is available upon request.