

FSLA-3625-4200-60-50

C-Band, 3.625~4.2GHz, 60dB, 50K

Features:

- * Broad Band
- * Low Noise Temperature
- * Low Input VSWR
- * Anti 5G Interference

Applications:

- * Fixed Station
- * Mobile Station
- * Laboratory Test

Electrical

Frequency:	3.625~4.2GHz
Gain:	60dB
Gain Flatness:	±2dBp-p max. ±0.6dB/40MHz max.
Gain Variation (within the operating temperature range):	±1.5dB max.
Gain Stability (at constant temperature):	±0.1dB/h, ±0.2dB/24h
Noise Temperature:	50K
Stopband Attenuation:	-70dB@3.4GHz -60dB@3.5GHz -40dB@3.6GHz -60dB@4.5GHz -90dB@4.8GHz
Output Power (P1dB):	10dBm min.
Non Damaging Input Power:	20dBm max.
Input/Output VSWR:	2.5/1.5
Spurious:	-60dBc max.
Voltage:	+15V DC (12~18V DC)
Current:	200mA typ.
Impedance:	50Ω

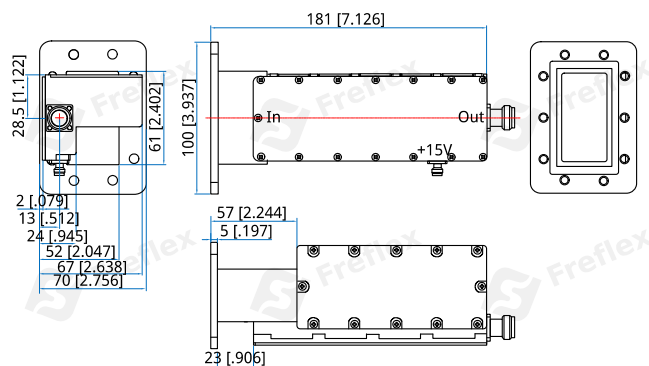
Mechanical

Size*1:	181*100*70mm 7.126*3.937*2.756in
Weight:	720g
Input Connectors:	WR-229 (BJ40)
Flange:	FDM40 (CPR229-G)
Output Connectors:	50Ω SMA Female or 50Ω N Female
Power Supply Interface:	SMA Female

[1] Exclude connectors.

Environmental

Operating Temperature:	-40~+60°C
Operating Humidity:	5%~100%

Outline Drawings


Unit: mm [in]
Tolerance: ±0.5mm [±0.02in]

How To Order
FSLA-3625-4200-60-50-Y

Y: Output connector type

Connector naming rules:

S - SMA female

N - N female

Examples:

To order a Satcom Low Noise Amplifier, 3.625~4.2GHz, 60dB, 50K, SMA female, specify FSLA-3625-4200-60-50-S.

Customization is available upon request.