

FSLA-8000-8500-60-80

X-Band, 8~8.5GHz, 60dB, 80K

Features:

- * Broad Band
- * Low Noise Temperature
- * Low Input VSWR

Applications:

- * Fixed Station
- * Mobile Station
- * Laboratory Test

Electrical

Frequency:	8~8.5GHz
Gain:	60dB
Gain Flatness:	±0.75dBp-p max. ±0.3dBp-p/40MHz max.
Gain Variation (within the operating temperature range):	±1.5dB max.
Gain Stability (at constant temperature):	±0.1dB/h, ±0.2dB/24h
Noise Temperature:	80K
Output Power (P1dB):	10dBm min.
Non Damaging Input Power:	0dBm max.
Input/Output VSWR:	2.0/1.5
Spurious:	-60dBc max.
Voltage:	+15V DC (12~18V DC)
Current:	80mA typ.
Impedance:	50Ω

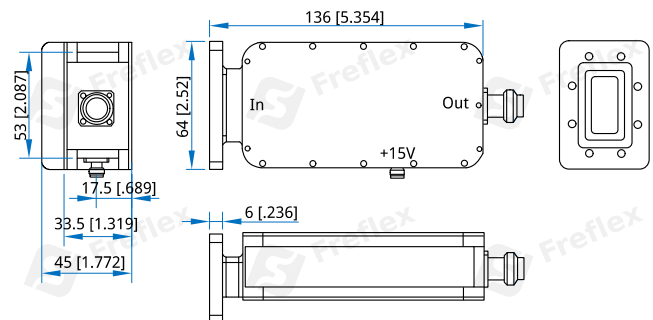
Mechanical

Size*1:	136*64*45mm 5.354*2.52*1.772in
Input Waveguide Size:	WR-112 (BJ84)
Output Connectors:	SMA Female or N Female
Flange:	FDM84
Power Supply Interface:	SMA Female
Weight:	400g

[1] Exclude connectors.

Environmental

Operating Temperature:	-40~+60°C
Operating Humidity:	5%~100%

Outline Drawings


Unit: mm [in]

Tolerance: ±0.5mm [±0.02in]

How To Order

FSLA-8000-8500-60-80-X

Y: Output connector type

Connector naming rules:

S - SMA female

N - N female

Examples:

To order a Satcom Low Noise Amplifier, 8~8.5GHz, 60dB, 80K, SMA female, specify FSLA-8000-8500-60-80-S.

Customization is available upon request.